



ON SALE NOW!
AS LONG AS SUPPLIES LAST



BalboaSpaOverstock

Your Single Source Solution

Balboa Water Group is your Single Source Solution for the Total Tub. Whether you need a pump for your whirlpool bath tub or an electronic control for your portable hot tub, we have what you need. Visit us today at www.balboawater.com



TABLE OF CONTENT

SECTION 1

JETS

GG BRANDS

Micro Jets.	2 - 3
3.5" Matrix Jets.	4
5" Matrix Jets.	5

SPA AND BATH BRANDS

Euro Jets	6
---------------------	---

HYDROAIR BRANDS

Multiport VSR™ Series and Jet Bodies.	7
Adjustable VSR™ Series.	8
FP Micro Adjustable VSR Series and Jet Bodies . . .	9
Micro Adjustable VSR Series	10
FP Super Magna™ II Series and Jet Bodies . . .	11
FP Super Micro Magna Series.	11

AIR CONTROLS

GG BRANDS

Air Control	13
Air Injectors.	14

SPA AND BATH BRANDS

Air Control	12 - 13
-----------------------	---------

MANIFOLDS

GG BRANDS

1 1/2" Spa Water Manifolds.	14
2" Spa Water Manifolds	14
Manifolds (Blind End Water).	15
Manifolds (Blind End and Flow Through Water) . .	16
Air / Water Manifolds	16
Manifolds (Plugs).	17

VALVES

GG BRANDS

Valves	18
------------------	----

SPA AND BATH BRANDS

Diverter Valves	19
---------------------------	----

DRAINS

SPA AND BATH BRANDS

Drains.	20
-----------------	----

SECTION 2

CALL FOR AVAILABILITY ONLY

JETS

HYDROAIR BRANDS

Magna™ Series	21
Super Micro Magna™ / FP Super Micro Magna™ . .	22
Magna™ / FP Magna™ Series	23 - 24
Cloudburst, Super Nova Multiport And Whirlpool Jets	25 - 26
Converta'ssage™ / Micro'ssage™	27
Micro Jet™ / Thera'ssage	28
DUO Directional Eye Jet.	29
DUO Blaster Rotating Jet	30
DUO Less Eyeball Jet	31
Cated Freedom Series.	32
Hydro Jet™ Series	33
Butterfly™ Jets.	38

AIR CONTROLS

HYDROAIR BRANDS

Air Control	35
Slimline Air Control	36 - 38
FP Slimline™ Teardrop Air Control	38

MANIFOLDS

HYDROAIR BRANDS

Manifolds.	39 - 40
--------------------	---------

DRAINS

HYDROAIR BRANDS

Main Drain / Gravity Drain.	41
-------------------------------------	----

FITTINGS

HYDROAIR BRANDS

Standard Wall Fittings	34
Bulkhead Fittings.	42 - 43

JETS

SPA AND BATH BRANDS

Petite Jets (Suctions Adptions And Tools) . . .	44 - 45
---	---------

TOOLS

HYDROAIR BRANDS

Tools	46
-----------------	----

SECTION 3

Color Key.	47
--------------------	----

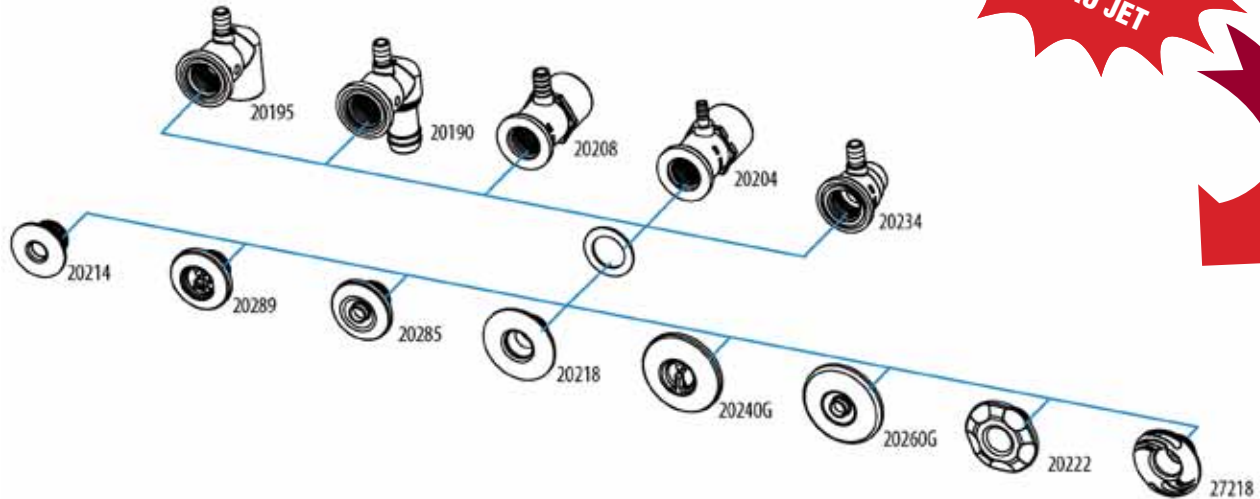
Balboa Spa Overstock

Your Single Source Solution

AS LONG AS SUPPLIES LAST!



Micro Jets



Description
1/2" Internal Deameter x 1 1/2"
Outside Diameter Micro Wall
Fitting (5/8" long)
Order Code: 20214-XX

AL = Qty Available: 1,681
BK = Qty Available: 1,672
BO = Qty Available: 1,826
CG = Qty Available: 3,090
SS = Qty Available: 670
TN = Qty Available: 175



Description
3/4" Internal Diameter x 2"
Outside Diameter Macro Wall
Fitting (11/16" long)
Order Code: 20218-XX

SS = Qty Available: 473
CW = Qty Available: 214
BK = Qty Available: 29



Description
2" Flash Injector Wall Fitting
Order Code: 27218-CH
Qty Available: 518



Description
5 Scalloped Macro Wall Fitting
Order Code: 20222-WH
Qty Available: 1,433



Description
1/4" (0.250) Orifice 3/4" Barb
x 3/8" Barb Micro Jet
Order Code: 20190-V
Qty Available: 2,597

BIG CLEARANCE ON MICRO JETS!

Micro Jets Continues



Description
3/16" (0.187) Orifice 1/2" Slip
x 1/4" Barb Ozone Inlet Body
Order Code: 20204
Qty Available: 101



Description
1/4" (0.250) Orifice 1/2" Slip (3/4"
Spigot) x 3/8" Barb Micro Jet
Order Code: 20195-V
Qty Available: 3,000



Description
1/4" (0.250) Orifice 1/2" Slip
(1" Spigot) x 3/8" Barb Jet Body
Order Code: 20208-V
Qty Available: 663



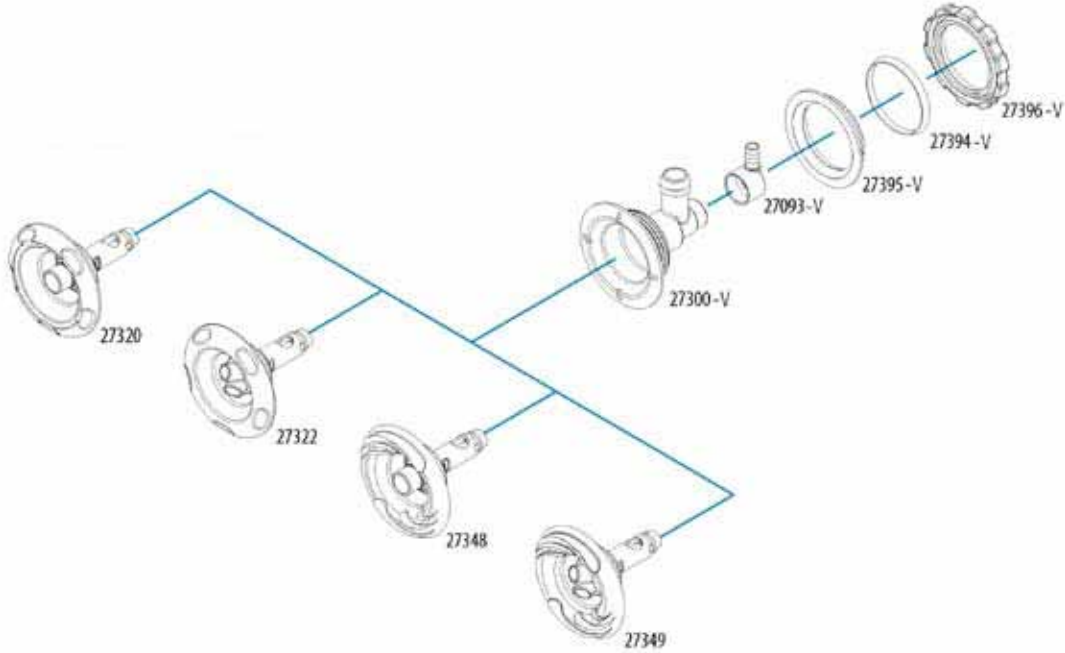
Description
Gasket
Bulk Qty: 500
Order Code: 915

Balboa Spa Overstock

Your Single Source Solution

SUPER SAVING ON ALL MATRIX JET SERIES!

3.5" Matrix Jet Series



Description
3.5" Matrix Jet 5-Scallop Eyeball Escutcheon
Order Code: 27320-CG
Qty Available: 164



Description
3.5" Flash Esc + Eyeball
Order Code: 27348-XX
SS = Qty Available: 381
WH = Qty Available: 1,488



Description
Matrix 3.5" Flash Dual Pulse Escutcheon
Order Code: 27349-CG
Qty Available: 744

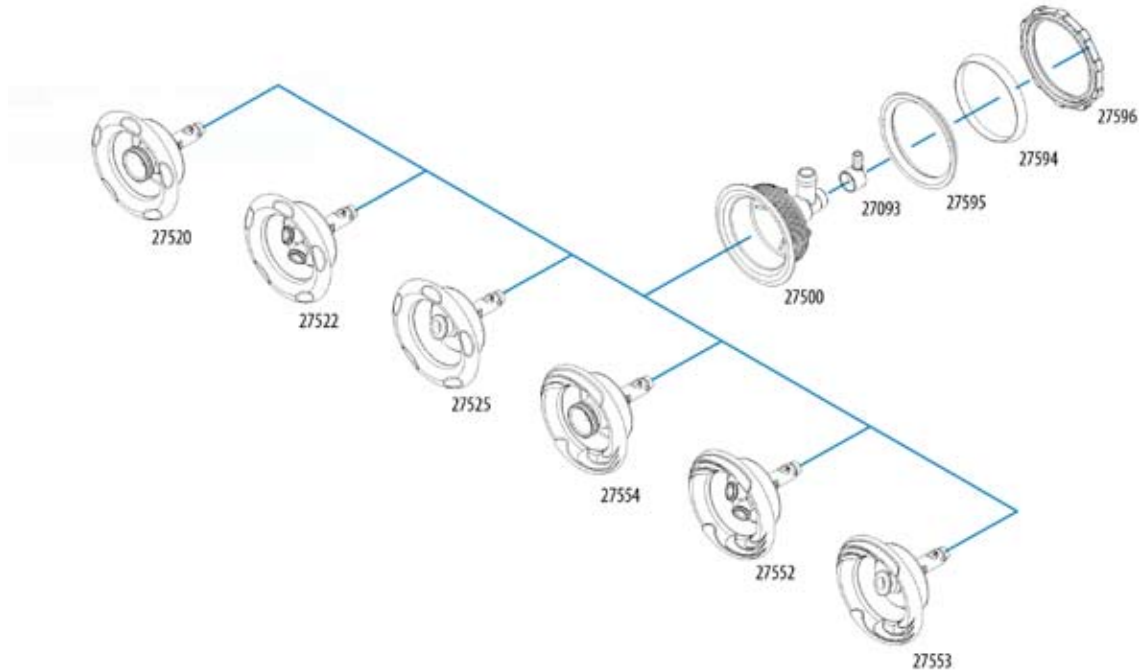


Description
3.5" Matrix Dual Pulse 5-Scallop Escutcheon
Order Code: 27322-XX
CG = Qty Available: 231
WH = Qty Available: 43

THIS JET IS GOING FAST!

THESE JETS WILL NOT LAST!

5" Matrix Jet Series



Description
Matrix 5" 5-Scalloped Eyeball
Escutcheon
Order Code: 27520-CG
Qty Available: 473



Description
5" Gasket
Order Code: 27595
Qty Available: 5,266



Description
5" Matrix Nut
Order Code: 27596
Qty Available: 3,145



Description
Smooth Stainless Steel Escutcheon
(Note: Image does not display stainless
look.)
Order Code: 28533
Qty Available: 109



Description
Matrix 3/8" Barb x Slip
Order Code: 27093
Qty Available: 2,800



Description
5" Lock Ring
Order Code: 27594
Qty Available: 8,016

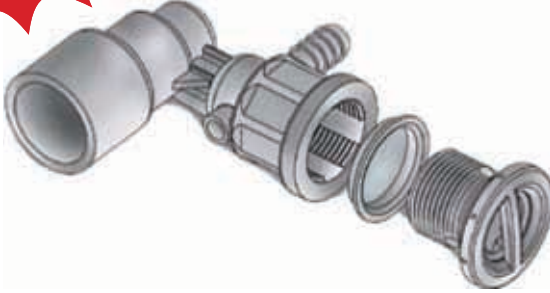
Balboa Spa Overstock

Your Single Source Solution

AS LONG AS SUPPLIES LAST!

Euro Jet

**SUPER
HOT BUY!
ON EURO JET**



SPECIFICATIONS

- GPM7 @ 15 PSI
- Orifice.25" (1/4")
- Hole Size .1125" (1-1/8") L Gasket



Description

Euro Barrel Fixed

Box Size: 8x8x8

Part Number: 469244XX

00 - Qty Available: 713

WW - Qty Available: 1,018



Description

3/8" Air Barbed x 3/4" Water Socket

Box Size: 16x14x12

Part Number: 46927300

Qty Available: 2,863



Description

Euro Barrel Textured LS Fixed

Box Size: 8x8x8

Part Number: 9621XX

35 - Qty Available: 249

81 - Qty Available: 4,765

WW - Qty Available: 1,360



Description

3/8" Air Barbed x 3/4" Water Barbed

Box Size: 16x14x12

Part Number: 46927200

Qty Available: 2,374



Description

L Gasket

Part Number: 46926400

Qty Available: 2,448



Description

Flat Gasket

Box Size: 8x8x8

Part Number: 967400

Qty Available: 8,659

FIRST COME FIRST SERVE!

Multiport VSR™ Series Jets



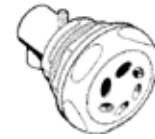
Description
VSR™ Multiport
Handle Assembly
Part Number:
16-5781 - XX XXX

FP MGX - Qty Avail: 136
FP GRY - Qty Avail: 6
FP BLK - Qty Avail: 217
FP GRY - Qty Avail: 255
FABGE - Qty Avail: 85



Description
FP VSR™ Multiport
Handle Assembly
Part Number:
16-5781FP - XX XXX

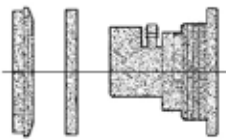
FP MGX - Qty Available: 136
FP GRY - Qty Available: 6
FP BLK - Qty Available: 217
FP GRY - Qty Available: 255
FABGE - Qty Available: 85



Description
FP VSR™ Multiport
Jet Manifold Assembly
Part Number:
16-5785FP

Qty Available: 100

Multiport VSR™ Jet Bodies



Description
Manifolds Assembly 3/8"
barb x 3/4" slip, 1 side
Part Number: 16-5779
Qty Available: 68



Description
3/8" x 3/4" barb, 1 side
Part Number: 16-5779B
Qty Available: 99



Description
3/8" x 3/4" barb
Part Number: 16-5778B
Qty Available: 304



Description
3/8" barb x 3/4" slip
Part Number: 16-5778
Qty Available: 1,717

Extra Parts



Description
Nut
Part Number: 36-5766,
36-5766
Qty Available: 1,707



Description
Ring
Part Number: 36-5765,
36-5465
Qty Available: 1,318

Specifications:

Output: 13 GPM at 12 psi, 2 m³/h
@ 7m H₂O

Hole Size: 3 1/2"

Clearance: 4.5" Behind tub wall

Installation: Requires 4 1/2" flat area

Options: "L" Gasket 36-5710

Qty Available: 3,830

Features

- Rotates on Low or High speed
- Rotates with or without Air
- Through wall installation with "L" gasket eliminates the need for silicone
- Polished Finish (FP VSR Textured Finish)
- Rotates without use of Ball Bearings

Balboa Spa Overstock

Your Single Source Solution

ONCE THEY ARE GONE, THEY ARE GONE!!!

Adjustable VSR™ Series Jets



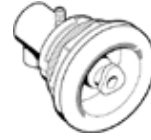
Description
VSR™ Adjustable
Handle Assembly
Part Number:
16-5773BK

Qty Avail: 72



Description
VSR™ Adjustable
Handle Assembly
Part Number:
16-5775GRY

Qty Available: 99



Description
VSR™ Adjustable
Handle Assembly
Part Number:
16-5774GRY

Qty Available: 240



Description
FP VSR™ Adjustable
Handle Assembly
Part Number:
16-5773FP FABGE

Qty Avail: 163

16-5773FP GRY

Qty Avail: 21

16-5773FP WHT

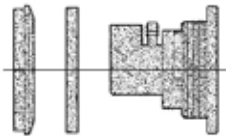
Qty Avail: 41

Extra Parts



Description
3/8" x 3/4" barb, 1 side
Part Number: 36-5773BLK
Qty Available: 72

Adjustable VSR™ Jet Bodies



Description
Manifolds Assembly 3/8"
barb x 3/4" slip, 1 side
Part Number: 16-5779
Qty Available: 68



Description
3/8" x 3/4" barb, 1 side
Part Number: 16-5779B
Qty Available: 99



Description
3/8" x 3/4" barb
Part Number: 16-5778B
Qty Available: 304



Description
3/8" barb x 3/4" slip
Part Number: 16-5778
Qty Available: 1,717

GET YOUR ORDERS IN TODAY!

FP Micro Adjustable VSR Series



Description
Directional Eye
Handle Assembly

Part Number:
10-9100BLK
Qty Avail: 39

10-9100FABGE
Qty Avail: 51

10-9100GRY
Qty Avail: 2,645



Description
Rotating
Handle Assembly

Part Number:
16-9100BLK
Qty Available: 1,481

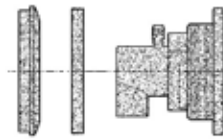
16-9100FABGE
Qty Available: 413

16-9100GRY
Qty Available: 1,058

Multiport VSR™ Jet Bodies



Description
Jet Assembly 1/2" Slip x 3/8" Barb
Part Number: 10-9092GRY
Qty Available: 18



Description
Jet Assembly
Part Number: 56-9092
Qty Available: 255

Extra Parts



Description
Nut
Part Number: 36-9099
Qty Available: 1,499



Description
Locating Ring
Part Number: 36-9098
Qty Available: 1,164



Description
Handle
Part Number: 36-9100BLK
Qty Available: 1,481
Part Number: 36-9100FABGE
Qty Available: 413

Part Number: 36-9100GRY
Qty Available: 1,058

Specifications:

Output: 7 GPM, 13 psi, 5/16" Nozzle
1 m3/h @ 7m H2O

Hole Size: Use 2 1/8" hole saw

Options: "L" Gasket 36-9102
Wrench 36-9099W

Features

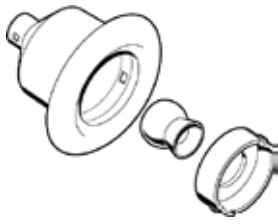
- Finish: Textured finish
- Features: Through wall directional / rotational without Ball Bearings

Balboa Spa Overstock

Your Single Source Solution

AS LONG AS SUPPLIES LAST!

Micro Adjustable VSR Series



Description
Micro Adjustable
Directional Eye
Handle Assembly

Part Number:
10-9100BIS
Qty Avail: 276

10-9100BLK
Qty Avail: 642

10-9100BON
Qty Avail: 165

10-9100PC
Qty Avail: 191

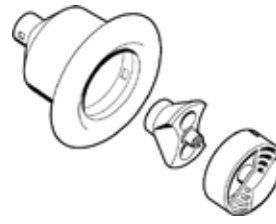
10-9100SN
Qty Avail: 183

10-9100BLU
Qty Avail: 275

10-9100GRY
Qty Avail: 1,012

10-9100ORB
Qty Avail: 38

10-9100WHT
Qty Avail: 574



Description
Micro Adjustable
Directional Eye
Handle Assembly

Part Number:
10-9100BIS
Qty Avail: 276

10-9100GRY
Qty Avail: 1,012

10-9100BLU
Qty Avail: 275

10-9100BON
Qty Avail: 165

10-9100ORB
Qty Avail: 38

10-9100PB
Qty Avail: 72

10-9100PC
Qty Avail: 191

10-9100SN
Qty Avail: 183

10-9100WHT
Qty Avail: 574

Specifications:

Output: 7 GPM, 13 psi, 5/16" Nozzle

1 m3/h @ 7m H2O

Hole Size: Use 2 1/8" hole saw

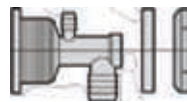
Options: "L" Gasket 36-9102

Wrench 36-9099W

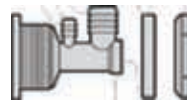
Features

- Finish: Polished Finish -
Plated plastic finish available
- Features: Through wall directional
/rotational without Ball Bearings

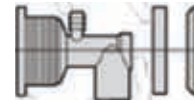
FP Super Micro Magna Series



10-9090
3/8" Barb x 3/4" Barb
Includes: 56-9090 Jet
Assy. and 10-9100
Handle assembly



10-9091
3/8" Barb x 3/4" Barb
1 Side - Includes:
56-9091 Jet Assy. and
10-9100 Handle assembly



10-9092
1/2" Slip x 3/8" Barb
Includes: 56-9092 Jet
Assembly and 10-9100
Handle assembly



10-9093
1/2" Slip x 3/8" Barb
Includes: 56-9093 Jet
Assembly and 10-9100
Handle assembly

FIRST COME FIRST SERVE!

FP Super Magna™ II Series



Description
Directional Eye
Part Number:
10-4722FPBLK
Qty Avail: 24
10-4722FPWHT
Qty Avail: 856
10-4722FPGRY
Qty Avail: 101



Description
Single Port Flowpath
Rotating
Part Number:
10-4726FPBLK
Qty Avail: 1,820
10-4726FPWHT
Qty Avail: 170
10-4726FPGRY
Qty Avail: 20



Description
Dual Port Flowpath
Rotating
Part Number:
10-4728FPBLK
Qty Avail: 148
10-4728FPGRY
Qty Avail: 231

FP Super Magna™ II Jet Bodies



10-9015 - Jet Manifold Assy -1 Side
(less Therapy option) Includes: Jet Manifold Body with Nozzle, Ring, Nut and Wall fitting



10-9017 - Jet Manifold Assy - Barb
(less Therapy option) Includes: Jet Manifold Body with Nozzle, Ring, Nut and Wall Fitting



10-9016 - Jet Manifold Assy -1 Side Barb
(less Therapy option) Includes: Jet Manifold Body with Nozzle, Ring, Nut and Wall Fitting



10-9018 - Jet Manifold Assy
(less Therapy option) Includes: Jet Manifold Body with Nozzle, Ring, Nut and Wall Fitting

Specifications:

Output: 15 GPM at 13 psi, 3/8" Nozzle

Hole Size: 2 3/4"

Finish: Textured

Options: Special Wrench 10-7831M

Gasket 30-5848

Note: Wall Fitting and Nut installed separate - Jet Body glues in any position.

International parts are in yellow text.

FP Super Micro Magna Series



Description
Super Micro Magna
Part Number:
10-4952BLK
Qty Avail: 105
10-4952FABGE
Qty Avail: 1,281
10-4952GRY
Qty Avail: 3,281
10-4952WHT
Qty Avail: 360



Description
Super Micro Magna
Part Number:
16-3916FPBLK
Qty Avail: 219
16-3916FPGRY
Qty Avail: 474

FIRST COME FIRST SERVE!

Air Controls



High volume air control with fast installation, long service life, and small profile. Users will appreciate its stylish, new appearance, quiet operation and ergonomic handle.

New, ergonomically designed handle in contemporary Sapphire design makes flow adjustments effortless for all spa users. (Sapphire design available for Diverter valve and Cyclone Jet Faces)

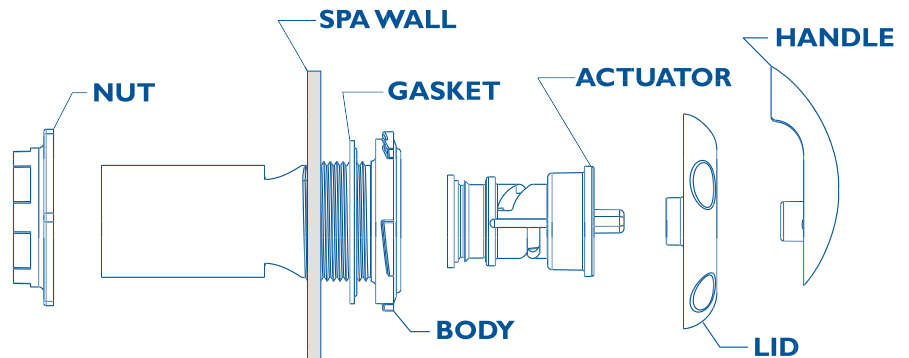
FEATURES

- Designed for maximum vacuum to deliver optimized air flow through jets and eliminate “whistling” during operation for a more enjoyable spa experience
- Sapphire handle fits into smaller recesses freeing up more bar top space
- Larger full and half grip handle designs are available
- Cyclone jet technology ensures fast, easy installation
- Tight dimensional tolerances on all parts prevent creeping of handle adjustment
- Snap-fit makes installation and service a breeze; air controller handle designs are interchangeable so you can swap out for customized orders
- Blower assist tee is available for full foam spa installations
- Looks, colors and finishes available to complement jets for a consistent spa design. Color selections include gray, silver and dark gray

MODELS

- Diamond
- Emerald
- Textured
- Textured Sapphire

Differentiate your products and achieve the unique style you envision with custom designs and engineering capabilities. Whether you require special design, color or finish, we are ready and able to assist you. Contact us with your special requirements.



ONCE THEY ARE GONE, THEY ARE GONE!!!

Air Controls Continues



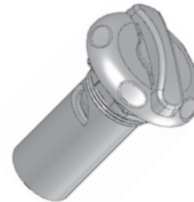
Description
Sapphire Handle
Part Number: 944608XX
Part Number with Body: 944612XX
11 - Qty Available: 987
DM - Qty Available: 37



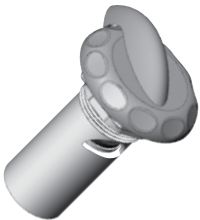
Description
Body With Cover
Part Number: 944612XX
Part Number with Body: 944608XX
35 - Qty Available: 236
DM - Qty Available: 1,384



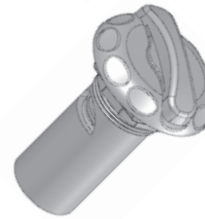
Description
Emerald
Part Number: 9877XX
11 - Qty Available: 58
DM - Qty Available: 210



Description
Emerald Full Grip
Part Number: 900894XX
WW - Qty Available: 200



Description
Diamond
Part Number: 9878XX
WW - Qty Available: 92



Description
Diamond Full Grip
Part Number: 900895XX
WW - Qty Available: 50



Description
Textured
Part Number: 9879XX
WW - Qty Available: 12

1" Air Controls



Description
Under-skirt with Scalloped
Cap - 2 1/2" OD
Order Code: 13565-CG
Qty Available: 97

**TIME TO REPLACE YOUR OLD
AIR CONTROL**

FIRST COME FIRST SERVE!

Air Injectors



Description
3/8" Injector barb
Order Code: 12915
Qty Available: 9,075



Description
Multi hole air injector assembly 3/8" barb
Order Code: 13446U-CG
Qty Available: 228



1 1/2" Spa Water Manifolds



Description
(4) 3/4" Barb (1 1/2" Spigot)
Order Code: 72083
Qty Available: 518

2" Spa Water Manifolds



Description
(2) 3/4" Barb x 2" Spigot x 2" Slip
Order Code: 72073
Qty Available: 507



Description
(4) 3/4" Barb x 2" Slip x 2" Spigot
Order Code: 72076
Qty Available: 177



Description
(4) 3/4" Barb x 2" Slip x Plug End
Order Code: 72077
Qty Available: 340



Description
(4) 3/4" Barb x 2" Slip x 2" Slip
Order Code: 72078
Qty Available: 600

ONCE THEY ARE GONE, THEY ARE GONE!!!

Manifolds (Blind End Water)

FEATURES

- Air manifolds are available with 4, 6, 12 and 16 ports.
- Water manifolds are available with 2, 3, 4 and 6 ports.
- Water manifolds available in flow through and blind end configurations. Flow through manifolds let you chain manifolds to create the number of connection needed.
- Air manifolds available in flow through only, however they can be capped to create a blind end.
- Ports available in barbed or socket configurations.
- Meet ASTM standards.

Manifolds are used for faster installation, better performance and to lower production costs. Air and water manifolds help spa jets perform uniformly and increase your assembly efficiency while lowering your costs. With manifolds, you can use one air or water source for multiple jets, reducing the amount of plumbing needed. This also helps to balance the flow between the jets, evenly distributing air or water.

Contact your Spa and Bath representative today for samples, or for manifold not listed in our catalog. Custom manifolds can be created for your needs.

SOCKET



Description
Water Manifold 2 Port - 1/2"
Socket x 2" Socket x Blind

Box Size: 16x16x16

Part Number: 944407

Qty Available: 70



Description
Water Manifold 2 Port - 3/4"
Socket x 2" Socket x Blind

Box Size: 16x16x16

Part Number: 944408

Qty Available: 103



Description
Water Manifold 4 Port - 1/2"
Socket x 2" Socket Blind

Box Size: 16x16x16

Part Number: 944403

Qty Available: 392



Description
Water Manifold 4 Port - 3/4"
Socket x 2" Socket Blind

Box Size: 16x16x16

Part Number: 944404

Qty Available: 60

GET YOUR ORDERS IN TODAY!

Manifolds (Blind End and Flow Through Water) Continues

SOCKET



Description
Water Manifold 4 Port - 1"
Socket x 2" Socket x Blind

Box Size: 16x16x16
Part Number: 944405

Qty Available: 97

SOCKET



Description
Water Manifold 4 Port - 1/2"
Socket x 2" Socket x 2" Spigot

Box Size: 16x16x16
Part Number: 53016400

Qty Available: 170

Manifolds (Flow Through Water and Air) Continues

SOCKET



Description
Water Manifold 4 Port - 3/4"
Socket x 2" Socket x 2" Spigot

Box Size: 16x16x16
Part Number: 53016100

Qty Available: 218

BARBED



Description
Air Manifold 4 Port - 3/8" Barbed x 1"
Socket x 1" Spigot

Box Size: 16x16x8
Part Number: 53015700

Qty Available: 2,300



Description
Water Manifold 6 Port - 3/4"
Socket x 2" Socket x 2" Spigot

Box Size: 16x16x16
Part Number: 955300

Qty Available: 56



Description
Air Manifold 16 Port - 3/8" Barbed x
1.5" Socket x 1.5" Spigot

Box Size: 16x14x8
Part Number: 53015500

Qty Available: 233

AS LONG AS SUPPLIES LAST!

Manifolds (Plugs) Continues

PLUGS



Description
Manifold Plug for 1/2" Socket
Box Size: 8x8x8
Part Number: 86003500

Qty Available: 1,158



Description
Manifold Plug for 1" Socket
Box Size: 8x8x8
Part Number: 86003800

Qty Available: 815

Description
Thermo Sensor Guard Kit
Box Size: 8x8x8
Part Number: 5115009

Qty Available: 784



Thermo Sensor Thread



Thermo Sensor Thread



Thermo Sensor Ring



Thermo Sensor Nut

FINAL MARKDOWN ON SPA VALVES!

Valves



Description

Tear Drop Handle Sub Assembly

Order Code: 43400

AL - Qty Available: 378

BC - Qty Available: 784

BO - Qty Available: 113

CB - Qty Available: 40

CG - Qty Available: 259

CW - Qty Available: 413

PC - Qty Available: 94

SS - Qty Available: 1,000

Tear Drop Handle Sub Assembly, Long

Order Code: 43400L-WH

Qty Available: 226



Description

1" Slip x 1" Slip x 2 Port Control Valve Body Assembly with Gasket and Wall Fitting

Order Code: 43008-V

Long

Order Code: 43008L



Description

1" Slip x 1" Slip x 1" Slip Diverter Valve Body Assembly with Gasket and Wall Fitting

Order Code: 43006-V

Long

Bulk Qty: 250

Order Code: 43006L



Description

Fits Outside Diameter of 43006 and 43008 Valve Ports to Convert 1" Slip to 1 1/2" Slip

Order Code: 00125

Qty Available: 240



Description

Spa Drain Valve Bracket

Order Code: 40120-V

Qty Available: 1,513

AS LONG AS SUPPLIES LAST!

Diverter Valves



Description
Diverter Valve Assembly 2"
Box Size: 19 1/2" x 12 x 12
Part Number: 2414011
Qty Available: 133
Part Number: 241401111
Qty Available: 237



Description
Sapphire Valve Handle
Part Number: 943593XX
35 - Qty Available: 164
WW - Qty Available: 471

FEATURES

- Operating noise reduced to preserve the peace of the spa experience. A patent pending wing design on the diverter and an internal sweep minimize the turbulence that causes most noise. Plus, the diverter mechanism is firmly secured within the pipe, so it cannot "float" and bang against other components.
- Patent pending center pin in diverter aligns with valve body so adjustments are made with a smooth, easy turn of the handle.
- Tight dimensional tolerances on all parts prevent creeping of diverter adjustment.
- Can withstand the highest pressure among industry diverter valves.
- Innovative, new star design interface attaches the handle securely to the valve, preventing skipping or stripping typical with octagonal designs.
- High sand tolerances reduce frequency of maintenance. Exclusive retainer ring prevents the valve from falling through the opening during installation. Top serviceable design that provides access without removing the valve from the spa.
- Assure clean, tight installations every time without glue by using a compensator ring and L-gasket system to overcome imperfections in spa walls.

SPECIFICATIONS

- Hole size 3" diameter
- Bar Top Area 4.56" (4-9/16") minimum diameter

The new 2" diameter diverter valve delivers advantages for everyone involved in the construction, maintenance and use of your spas. It is quieter, easier to adjust, install and maintain. The Sapphire design is available in standard colors of gray, silver and dark gray or custom colors and finishes to complement every spa.

The unique design enhancements to the Balboa diverter valve make it the superior choice for quality installation, quiet operation, ease of maintenance, and long life.

FIRST COME FIRST SERVE!

Drains



Description
Spa Drain body 3/4" Barbed
Box Size: 16x16x16
Part Number: 940063
Qty Available: 294



Description
Spa Drain Body 3/4" Socket
Box Size: 16x16x16
Part Number: 940053
Qty Available: 166



Description
Spa Drain Flange
Box Size: 8x8x8
Part Number: 940052XX
35 - Qty Available: 106
DM - Qty Available: 592
WW - Qty Available: 998



Description
Spa Drain Gasket
Box Size: 8x8x8
Part Number: 940065
Qty Available: 1,482



Description
Installation Tool 3/8" Drive
Order Multiple: 1
Part Number: 948600
Qty Available: 92

NEW

The Spa Drain classy new look provides a higher end appearance, and its higher flow rate makes draining the spa fast and easy. Spa owners will appreciate the reduced down time so they can get back to what they love doing most...relaxing in their spa.

FEATURES

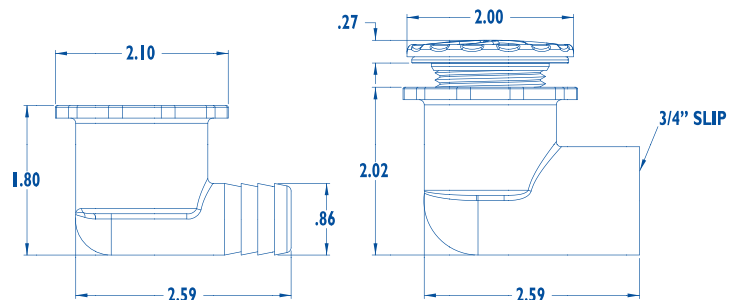
- Drain flow is more than 50% faster than competitive models, so spas can be drained in half the time!
- New flange design has a contemporary appearance
- Available in socket or the only barbed connection on market. Barbed body uses the same clamp and tubing plumbing as jets
- Flange is available in three standard colors – Grey, Silver and Dark Grey – and custom colors upon request (minimum quantities required)

SPECIFICATIONS

- Hole Size 1.38" (1-3/8")
- Torque 5 Ft.-Lbs.

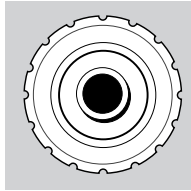
INSTALLATION DIMENSIONS

- Above Spa Clearance 0.27" with Gasket
- Below Spa Clearance 2.02" for Socket
1.80" for Barbed



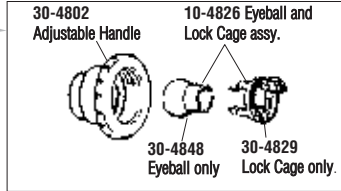
Magna™ Series

Magna Directional Eye Therapy Option

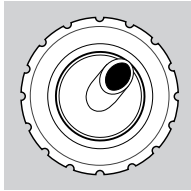


10-4820
10-4820 10-4820-36

Therapy option Includes: Adjustable Handle, Eyeball and Lock Cage

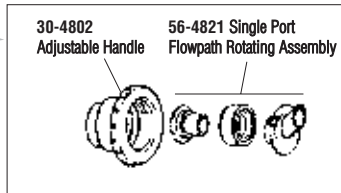


Magna Single Port Flowpath Rotating Therapy Option

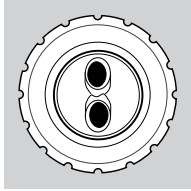


16-4821
16-4821 16-4821-36

Therapy option Includes: Adjustable Handle and Single Port Rotating assembly

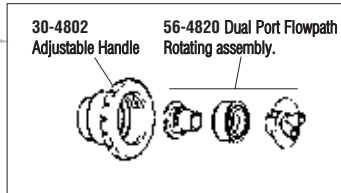


Magna Dual Port Flowpath Rotating - Therapy Option

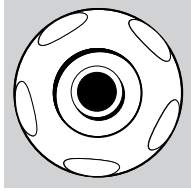


16-4820
16-4820 16-4820-36

Therapy option Includes: Adjustable Handle and Dual Port Assembly

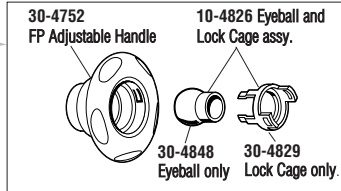


FP Magna Directional Eye Therapy Option

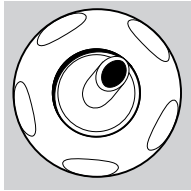


10-4720FP
10-4720FP-36

Therapy option Includes: FP Adjustable Handle, Eyeball and Lock Cage

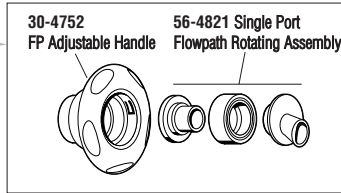


FP Magna Single Port Flowpath Rotating Therapy Option

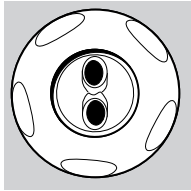


16-4721FP
16-4721FP-36

Therapy option Includes: FP Adjustable Handle and Single Port Rotating assembly

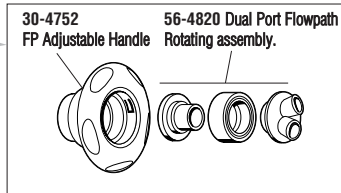


FP Magna Dual Port Flowpath Rotating Therapy Option



16-4720FP
16-4720FP-36

Therapy option Includes: FP Adjustable Handle and Dual Port Assembly



Specifications:

Output: 15 GPM at 13 psi, 3/8" Nozzle

2.7 m³/h @ 7m H₂O

Hole Size: 2 5/8"

Options: Reducing Orifices 30-4814

Wrench 10-7831M 20-7800M

Hand held 16-5300 16-5300

Magna Metal Escutcheon 10-4810M

Note: International parts are in yellow text.

Balboa Spa Overstock

Your Single Source Solution

Please Call For Availability

Super Micro Magna™/FP Super Micro Magna™

Specifications:

Output: 7 GPM, 13 psi, 5/16" Nozzle

Hole Size: Use 1 3/4" hole saw

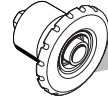
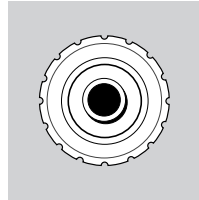
Options: Metal Escutcheon 10-4955M

20-4955M-1, Wrench 50-9075W, Gasket

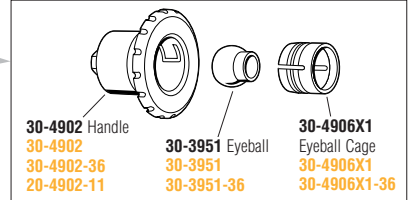
30-3705CLR

Note: Wall Fitting and Nut installed separate - Jet Body glues in any position.
International parts are in yellow text.

Super Micro Magnaflow™ Directional Eye Less Air



10-4920 Therapy option
Includes: Handle, Eyeball and
Eyeball Cage

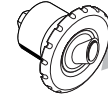
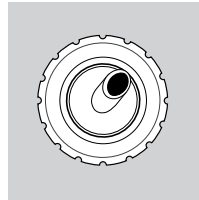


30-4902 Handle
30-4902
30-4902-36
20-4902-11

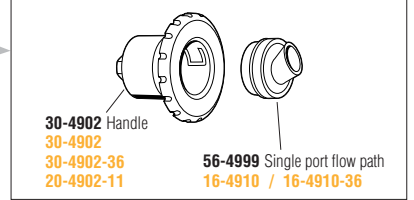
30-3951 Eyeball
30-3951
30-3951-36

30-4906X1 Eyeball Cage
30-4906X1
30-4906X1-36

Super Micro Magna'ssage™ Single Port Rotating Less Air



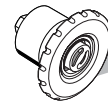
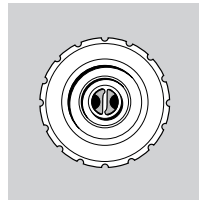
16-4921 Therapy option
Includes: Handle, and Single
Port Rotating assembly



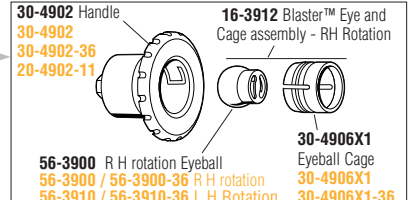
30-4902 Handle
30-4902
30-4902-36
20-4902-11

56-4999 Single port flow path
16-4910 / 16-4910-36

Super Micro Magna™ Blaster Less Air



16-3916 R H rotation
Therapy option



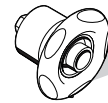
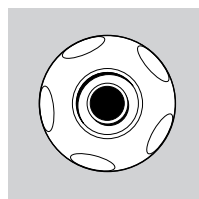
30-4902 Handle
30-4902
30-4902-36
20-4902-11

16-3912 Blaster™ Eye and
Cage assembly - R H Rotation

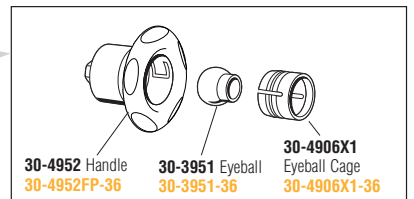
56-3900 R H rotation Eyeball
56-3900 / 56-3900-36 R H rotation
56-3910 / 56-3910-36 L H Rotation

30-4906X1 Eyeball Cage
30-4906X1
30-4906X1-36

FP Super Micro Magnaflow™ - Directional Eye Less Air



10-4920FP Therapy option
includes adjustable Handle,
Eyeball and Eyeball cage
(included in assemblies below)

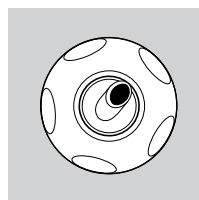


30-4952 Handle
30-4952FP-36

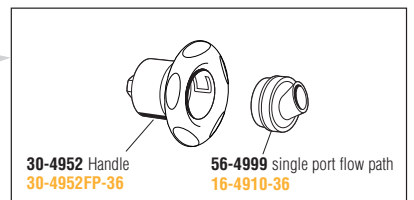
30-3951 Eyeball
30-3951-36

30-4906X1 Eyeball Cage
30-4906X1-36

FP Super Micro Magna'ssage™ - Single Port Rotating Less Air



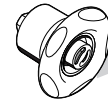
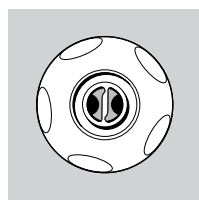
16-4921FP Therapy option
includes adjustable Handle and
Single Port flow Path (included
in assemblies below)



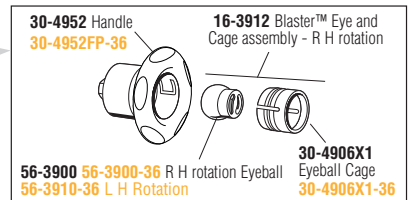
30-4952 Handle
30-4952FP-36

56-4999 single port flow path
16-4910-36

FP Super Micro Magna™ Blaster - Less Air



16-3916FP - R H Rotation
Therapy option (included in
assemblies below)



30-4952 Handle
30-4952FP-36

16-3912 Blaster™ Eye and
Cage assembly - R H rotation

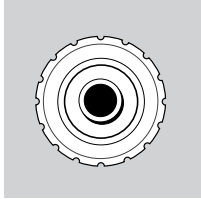
56-3900 **56-3900-36** R H rotation Eyeball
56-3910-36 L H Rotation

30-4906X1 Eyeball Cage
30-4906X1-36

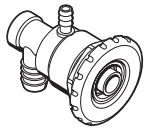
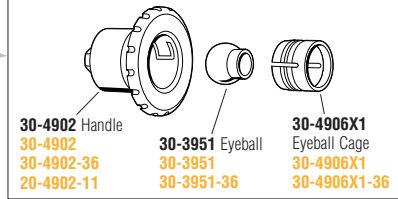
Please Call For Availability

Magna™ / FP Magna™ Series

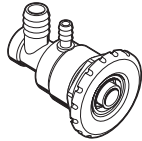
Super Micro Magnaflow™ Jet Assemblies



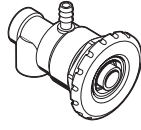
10-4920 Therapy option
Includes: Handle, Eyeball and
Eyeball Cage (Included in
assemblies listed below)



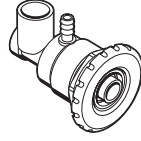
10-9070 - includes:
10-9070LT Jet Assembly &
10-4920 Therapy option



10-9071 - includes:
10-9071LT Jet Assembly &
10-4920 Therapy option

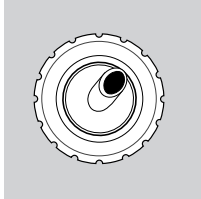


10-9072 - includes:
10-9072LT Jet Assembly &
10-4920 Therapy option

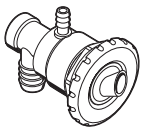
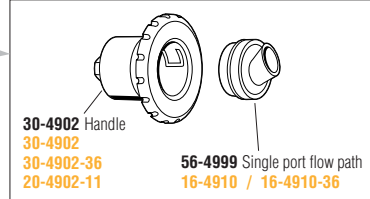


10-9073 - includes:
10-9073LT Jet Assembly &
10-4920 Therapy option

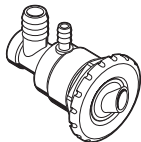
Super Micro Magna'ssage™ Single Port Rotating Assemblies



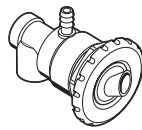
16-4921 Therapy option
Includes: Handle, and Single Port
Rotating assembly (Included in
assemblies listed below)



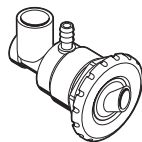
16-9070 - includes:
10-9070LT Jet Assembly &
16-4921 Therapy option



16-9071 - includes:
10-9071LT Jet Assembly &
16-4921 Therapy option

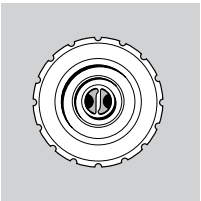


16-9072 - includes:
10-9072LT Jet Assembly &
16-4921 Therapy option

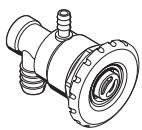
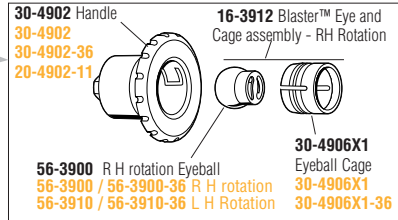


16-9073 - includes:
10-9073LT Jet Assembly &
16-4921 Therapy option

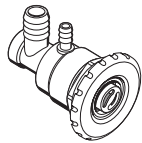
Super Micro Magna™ Blaster Jet Assemblies



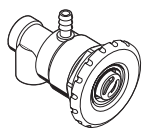
16-3916 R H rotation Therapy
option (Included in
assemblies listed below)



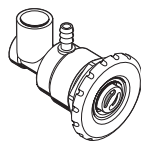
16-9078R
(R H rotation) includes:
10-9070LT Jet Assy
& 16-3916 Therapy option



16-9079R
(R H rotation) includes:
10-9071LT Jet Assy
& 16-3916 Therapy option



16-9080R
(R H rotation) includes:
10-9072LT Jet Assy
& 16-3916 Therapy option



16-9081R
(R H rotation) includes:
10-9073LT Jet Assy
& 16-3916 Therapy option

Specifications:

Output: 7 GPM, 13 psi, 5/16" Nozzle

1.5 m³/h @ 7m H₂O

Hole Size: Use 1 3/4" hole saw

Options: Metal Escutcheon 10-4955M

20-4955-1, Wrench 50-9075W, Gasket

30-3705CLR

Note: Wall Fitting and Nut installed
separate - Jet Body glues in any position.

International parts are in yellow text.

Balboa Spa Overstock

Your Single Source Solution

Please Call For Availability

Magna™ / FP Magna™ Series

Specifications:

Output: 7 GPM, 13 psi, 5/16" Nozzle

Hole Size: Use 1 3/4" hole saw

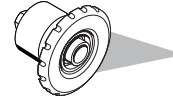
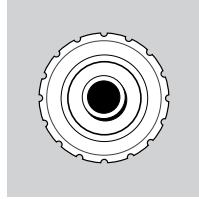
Options: Metal Escutcheon 10-4955M

20-4955M-1, Wrench 50-9075W, Gasket

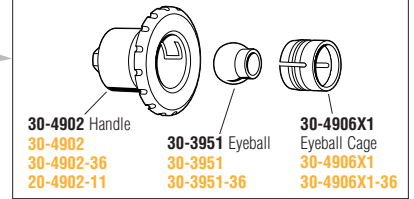
30-3705CLR

Note: Wall Fitting and Nut installed separate - Jet Body glues in any position.
International parts are in yellow text.

Super Micro Magnaflow™ Directional Eye Less Air



10-4920 Therapy option
Includes: Handle, Eyeball and
Eyeball Cage

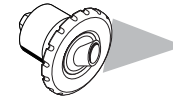
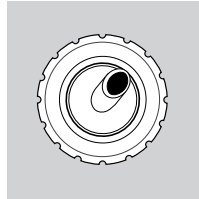


30-4902 Handle
30-4902-36
20-4902-11

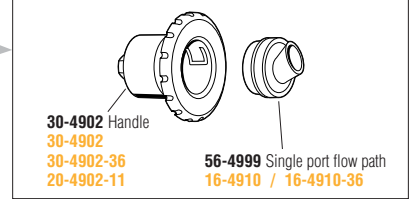
30-3951 Eyeball
30-3951
30-3951-36

30-4906X1 Eyeball Cage
30-4906X1
30-4906X1-36

Super Micro Magna'ssage™ Single Port Rotating Less Air



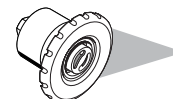
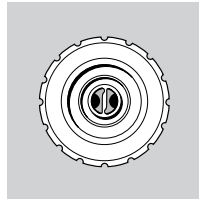
16-4921 Therapy option
Includes: Handle, and Single
Port Rotating assembly



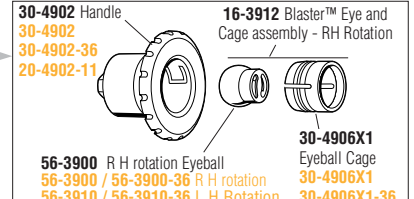
30-4902 Handle
30-4902
30-4902-36
20-4902-11

56-4999 Single port flow path
16-4910 / 16-4910-36

Super Micro Magna™ Blaster Less Air



16-3916 R H rotation
Therapy option



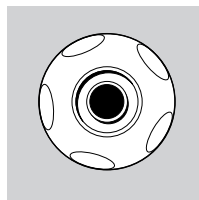
30-4902 Handle
30-4902
30-4902-36
20-4902-11

16-3912 Blaster™ Eye and
Cage assembly - RH Rotation

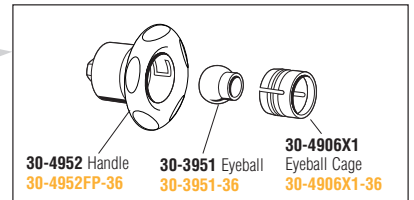
56-3900 R H rotation Eyeball
56-3900 / 56-3900-36 R H rotation
56-3910 / 56-3910-36 L H Rotation

30-4906X1 Eyeball Cage
30-4906X1
30-4906X1-36

FP Super Micro Magnaflow™ - Directional Eye Less Air



10-4920FP Therapy option
includes adjustable Handle,
Eyeball and Eyeball cage
(included in assemblies below)

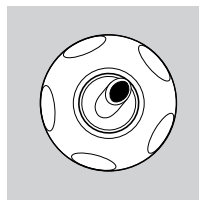


30-4952 Handle
30-4952FP-36

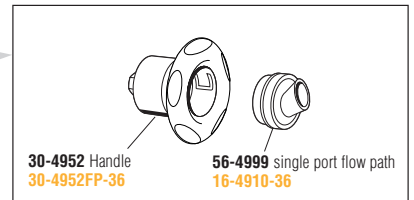
30-3951 Eyeball
30-3951-36

30-4906X1 Eyeball Cage
30-4906X1-36

FP Super Micro Magna'ssage™ - Single Port Rotating Less Air



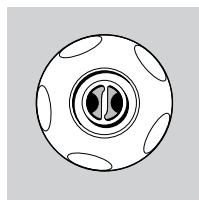
16-4921FP Therapy option
includes adjustable Handle and
Single Port flow Path (included
in assemblies below)



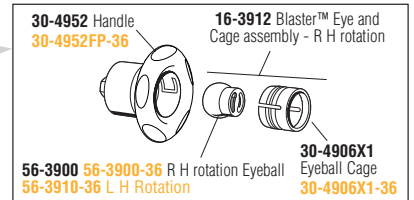
30-4952 Handle
30-4952FP-36

56-4999 single port flow path
16-4910-36

FP Super Micro Magna™ Blaster - Less Air



16-3916FP -RH Rotation
Therapy option (included in
assemblies below)



30-4952 Handle
30-4952FP-36

16-3912 Blaster™ Eye and
Cage assembly - R H rotation

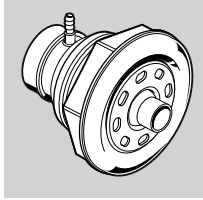
56-3900 **56-3900-36** R H rotation Eyeball
56-3910-36 L H Rotation

30-4906X1 Eyeball Cage
30-4906X1-36

Please Call For Availability

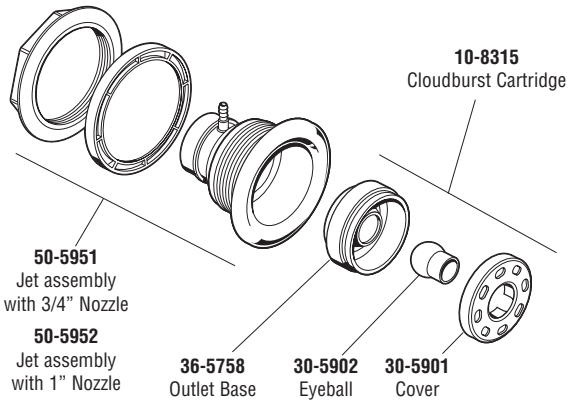
Cloudburst, Super Nova Multiport And Whirlpool Jets

Cloudburst Jet Assembly



10-8300 - 3/4" Nozzle
Cloudburst Jet Assy.
10-8300 10-8300-36

10-8310 - 1" Nozzle
Cloudburst Jet Assy.



Specifications:

Output: 3/4" Nozzle: 70 GPM, 20 psi
15 m³/h @ 11m H₂O

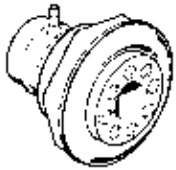
Output 1" Nozzle: 97 GPM, 13 psi

Hole Size: 4"

Options: Double O-ring Gasket 36-5911
Gasket 36-5914CLR

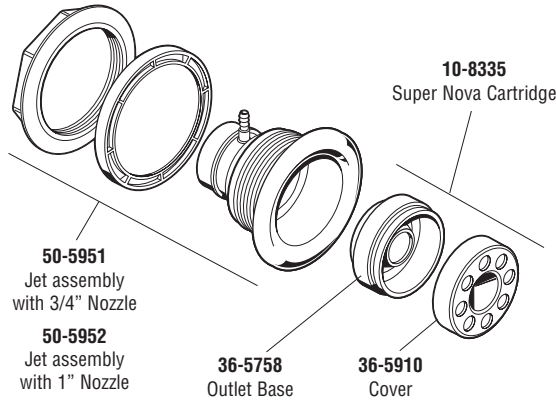
Note: International parts are in yellow text.

Super Nova Multiport Jet Assembly

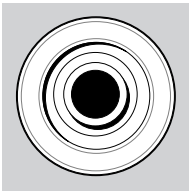


10-8320 - 3/4" Nozzle
Super Nova Jet Assy.
10-8320

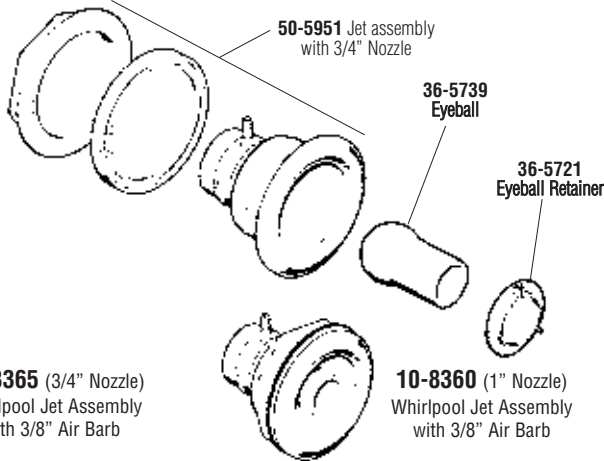
10-8330 - 1" Nozzle
Super Nova Jet Assy.
10-8330 10-8330-36



Whirlpool Jet Assemblies



10-8365 (3/4" Nozzle)
Whirlpool Jet Assembly
with 3/8" Air Barb



10-8360 (1" Nozzle)
Whirlpool Jet Assembly
with 3/8" Air Barb

Balboa Spa Overstock

Your Single Source Solution

Please Call For Availability

Cloudburst, Super Nova Multiport And Whirlpool Jets Continues

Specifications:

Output 3/4" Nozzle: 70 GPM, 20 psi

15 m³/h @ 11m H₂O

Output 1" Nozzle: 97 GPM, 13 psi

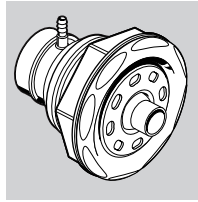
Hole Size: 4"

Options: Double O-ring Gasket 36-5911

Gasket 36-5914CLR

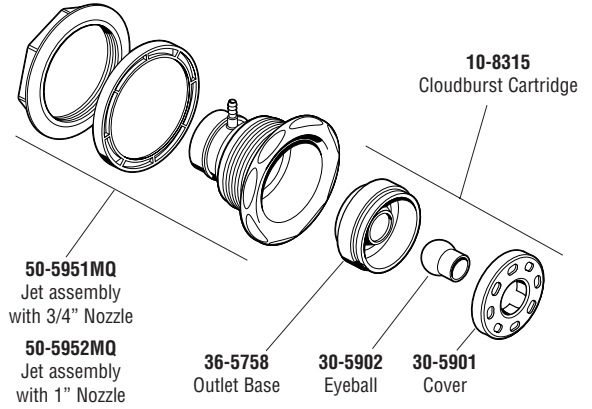
Note: International parts are in yellow text.

Cloudburst Jet Assembly

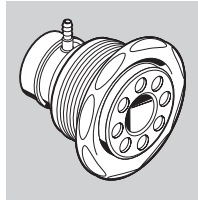


10-8300FP
3/4" Nozzle
Cloudburst Jet Assy.
10-8300FP-36

10-8310FP
1" Nozzle
Cloudburst Jet Assy.

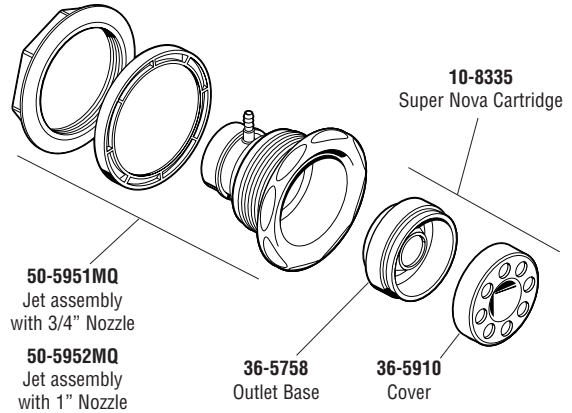


Super Nova Multiport Jet Assembly

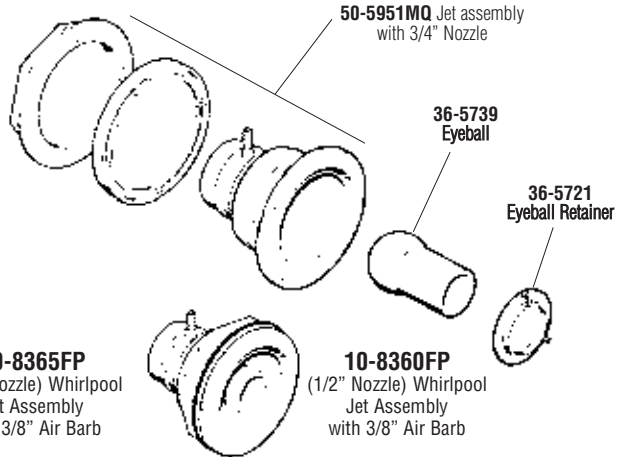
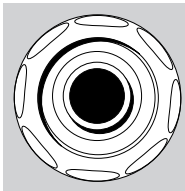


10-8320FP
3/4" Nozzle
Super Nova Jet Assy.

10-8330FP
1" Nozzle
Super Nova Jet Assy.

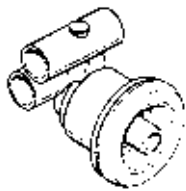
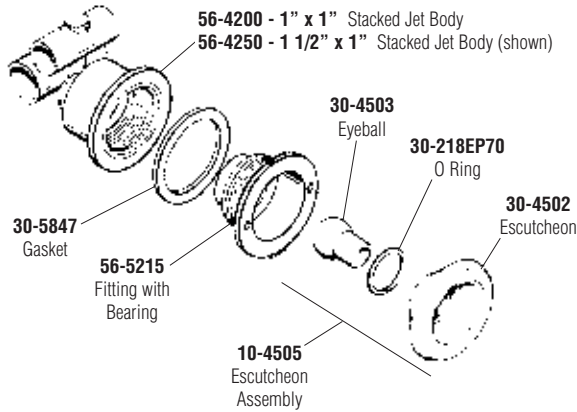
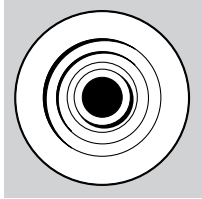


Whirlpool Jet Assemblies

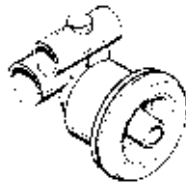


Converta'ssage™ / Micro'ssage™

Converta'ssage Stacked Jet Assemblies



10-4500 - 1" x 1"
Includes: 10-4550 Stacked Jet Body, Gasket, Fitting with Bearing and 10-4505 Converta'ssage Escutcheon Assembly



10-4510 - 1 1/2" x 1"
Includes: 10-4561 Stacked Jet Body, Gasket, Fitting with Bearing and 10-4505 Converta'ssage Escutcheon Assembly

Specifications:

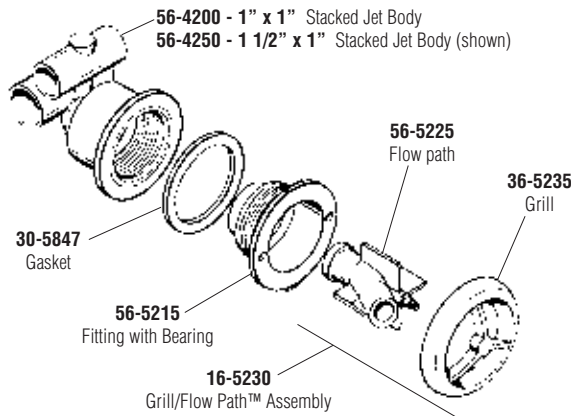
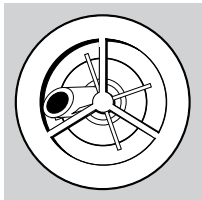
Output: 13 GPM, 12 psi Hole Size: 2 1/2"

Options: Metal Wall Fitting Wrench

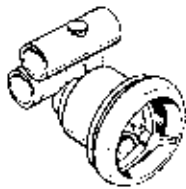
10-7831M Hand held 16-5309

Note: International parts are in yellow text.

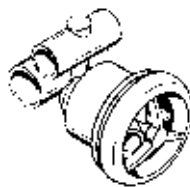
Micro'ssage™ Stacked Jet Assemblies



16-5255M
Metal Escutcheon (optional)



16-5200 - 1" x 1"
Includes: 10-4550 Stacked Jet Body, Gasket, Fitting with Bearing and 16-5230 Grill/Flow Path™ Assembly



16-5250 - 1 1/2" x 1"
Includes: 10-4561 Stacked Jet Body, Gasket, Fitting with Bearing and 16-5230 Grill/Flow Path™ Assembly

Balboa Spa Overstock

Your Single Source Solution

Please Call For Availability

Micro Jet™ / Thera'ssage

Specifications:

Output: 10 GPM, 12 psi, 5/16" nozzle

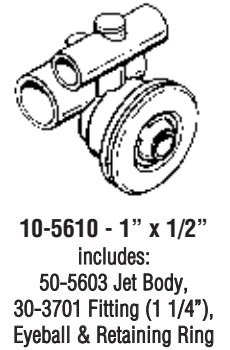
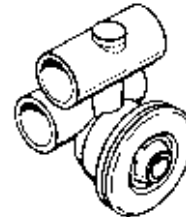
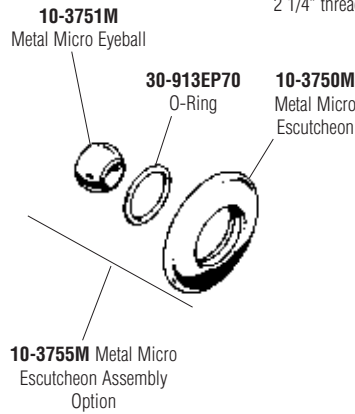
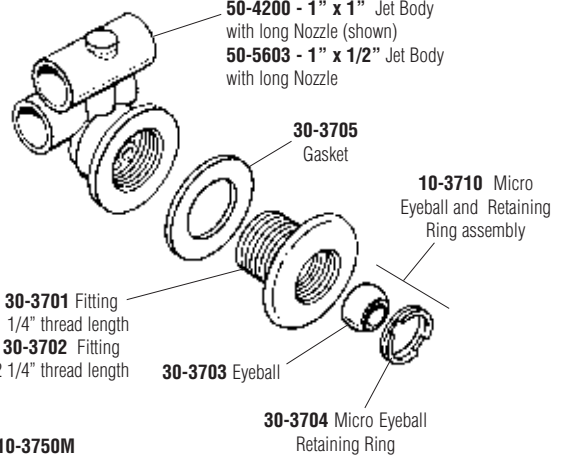
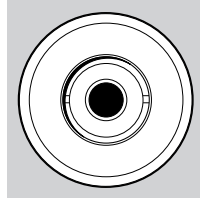
Hole Size: Use 1 11/16" Hole Saw

Options: Metal Escutcheon Assy - 10-3755M

Wrench 10-7825M

Note: International parts are in yellow text.

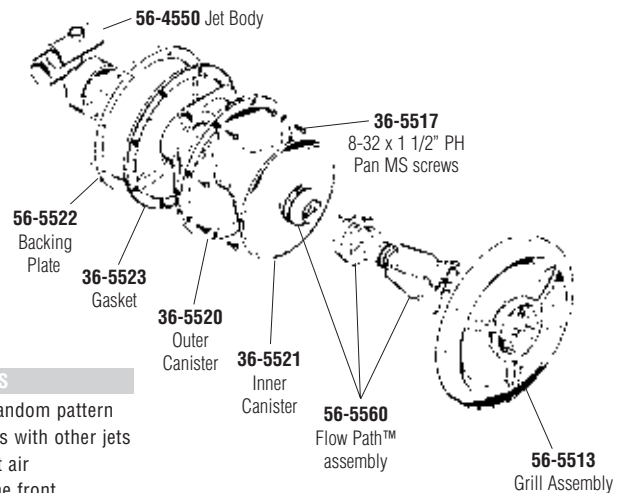
Micro Jet™ Assemblies



Thera'ssage™ Jet Assembly



16-5550
 Jet Assembly
 16-5550
 16-5550-36

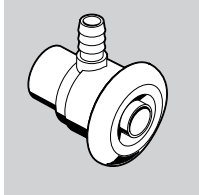


FEATURES

- Provides a continuous random pattern
- Can be operated in series with other jets
- Operates with or without air
- Fully serviceable from the front

DUO Jet Directional Eye Jet

DUO Jet - Round Grill Jet Assembly

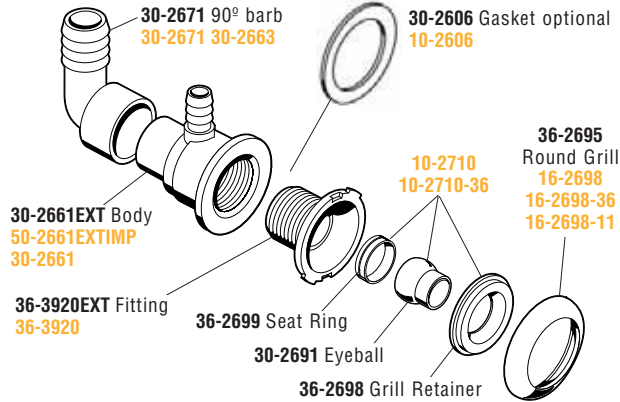


10-2701

Duo Jet Assembly with Round Grill

10-2709

Duo Jet Assy. Round Grill with 90° barb



Specifications:

Output: 6 GPM, 13 psi, 1/4" Nozzle

1 m³/h @ 7m H₂O

Hole Size: 15/16"

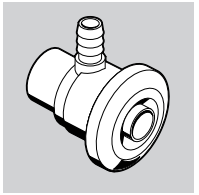
Options: Gasket 30-2606 10-2606

Straight Barb 30-4578S

Wrench 36-3920W

Note: International parts are in yellow text.

DUO Jet - Duo Grill Jet Assembly

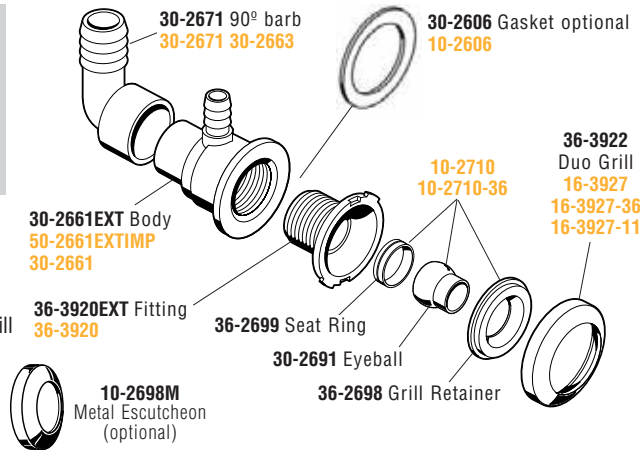


10-2703

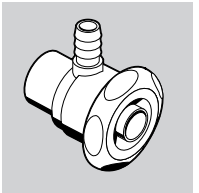
Duo Jet Assy. with Duo Grill

10-2711

Duo Jet Assy. Duo Grill with 90° barb



DUO Jet - Five Point Grill Jet Assembly

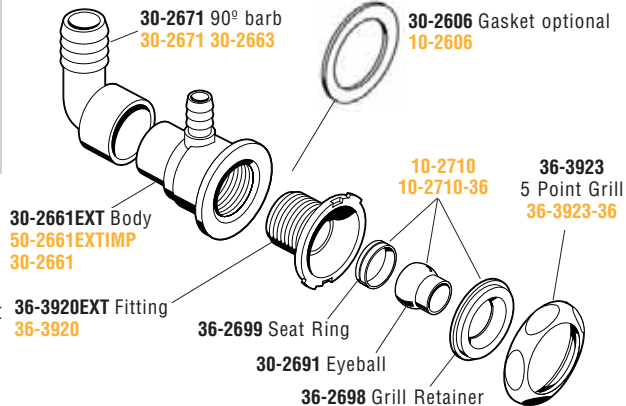


10-2705FP

Duo Jet Assy. 5 Point Grill

10-2713FP

Duo Jet Assy. 5 Point Grill with 90° barb



Balboa Spa Overstock

Your Single Source Solution

Please Call For Availability

DUO Blaster Rotating Jet

Specifications:

Output: 6 GPM, 13 psi, 1/4" Nozzle

1 m³/h @ 7m H₂O

Hole Size: 15/16"

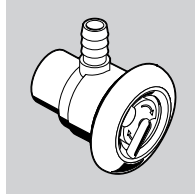
Options: Gasket 30-2606 10-2606

Straight Barb 30-4578S

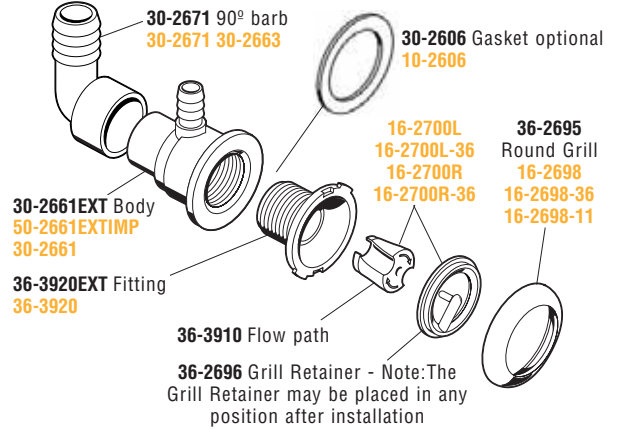
Wrench 36-3920W

Note: International parts are in yellow text.

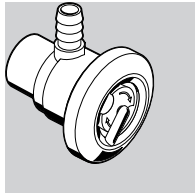
DUO Blaster - Round Grill Jet Assembly



- 16-2701**
Duo Blaster Jet Assy.
with Round Grill
- 16-2709**
Duo Blaster Jet Assy.
Round Grill with 90° barb

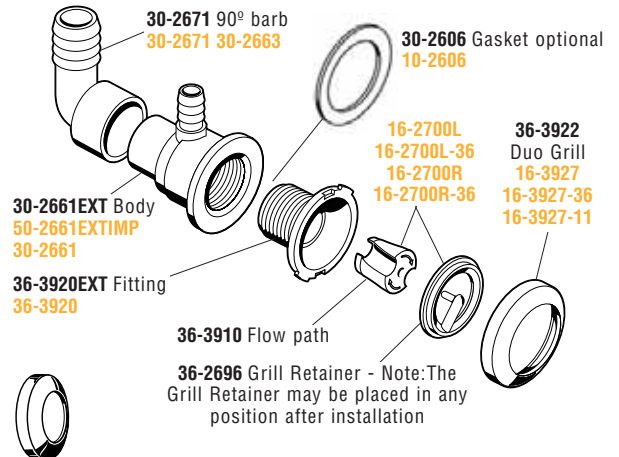


DUO Blaster - Duo Grill Jet Assembly

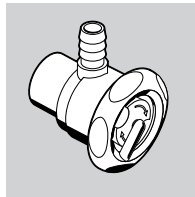


- 16-2703**
Duo Blaster Jet Assy.
with Duo Grill
- 16-2711**
Duo Blaster Jet Assy.
Duo Grill with 90° barb

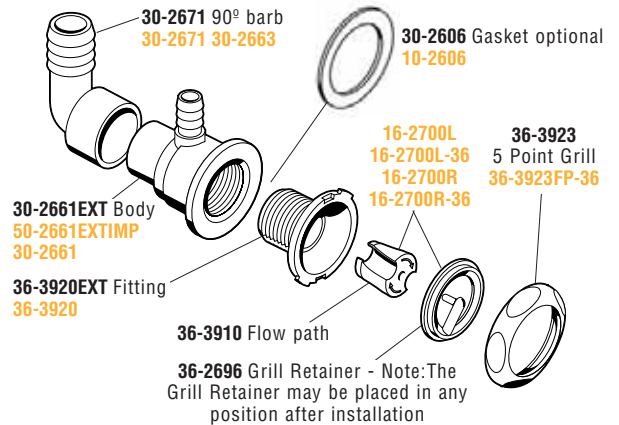
10-2698M
Metal Escutcheon
(optional)



DUO Blaster - Five Point Grill Jet Assembly

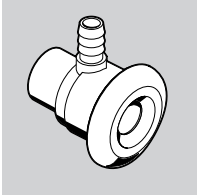


- 16-2705FP**
Duo Blaster Jet Assy.
with 5 Point Grill
- 16-2713FP**
Duo Blaster Jet Assy. 5
Point Grill with 90° barb



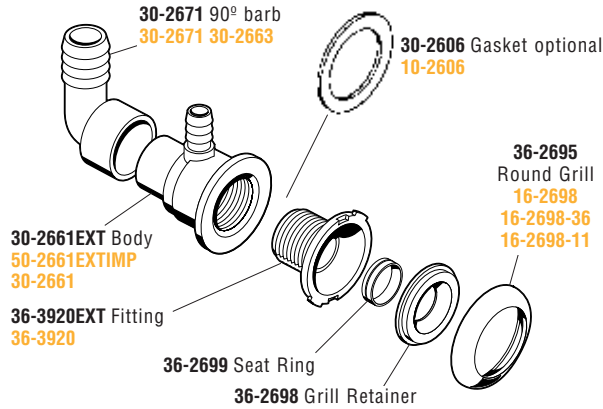
DUO Jet Less Eyeball

DUO Jet Less Eyeball - Round Grill Jet Assembly



10-2701LE
Duo Jet Assembly
with Round Grill

10-2709LE
Duo Jet Assy. Round
Grill with 90° barb



Specifications:

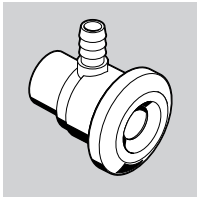
Output: 6 GPM, 13 psi, 1/4" Nozzle
1 m³/h @ 7m H₂O

Hole Size: 15/16"

Options: Gasket 30-2606 10-2606
Straight Barb 30-4578S
Wrench 36-3920W

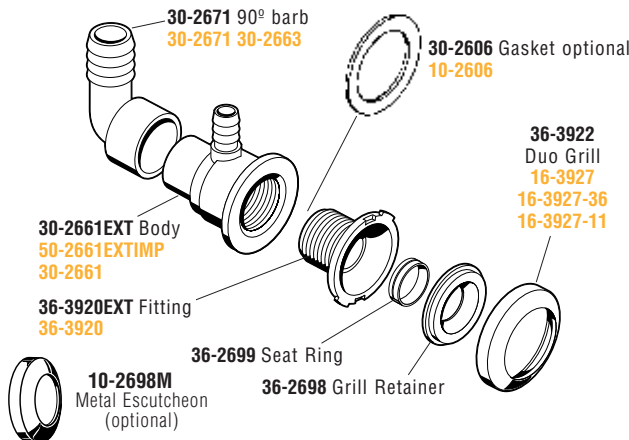
Note: International parts are in yellow text.

DUO Jet Less Eyeball - Duo Grill Jet Assembly

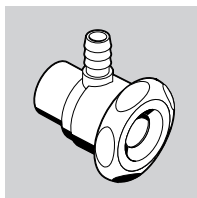


10-2703LE
Duo Jet Assy.
with Duo Grill

10-2711LE
Duo Jet Assy. Duo Grill
with 90° barb

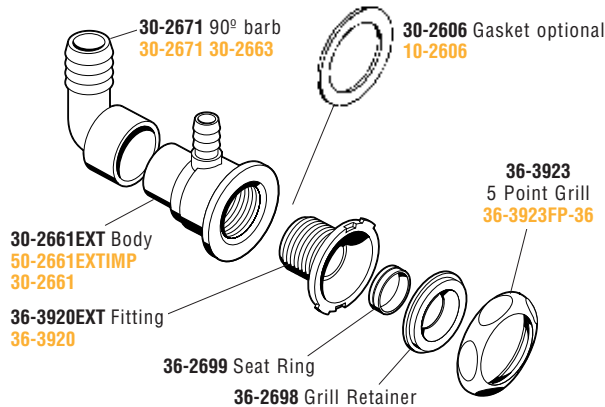


DUO Jet Less Eyeball - Five Point Jet Assembly



10-2705FP LE
Duo Jet Assembly 5
Point Grill

10-2713FP LE
Duo Jet Assy. FP Grill
with 90° barb



Balboa Spa Overstock

Your Single Source Solution

Please Call For Availability

Caged Freedom Series (Replaces AF Mark II Series)

Specifications:

Output: 14 GPM, 18 psi, 3/8" Nozzle

3 m³/h @ 9m H₂O

Hole Size: 2 5/8"

Options: Metal Escutcheon 10-5845M BPL

10-5845-1 10-5845-5

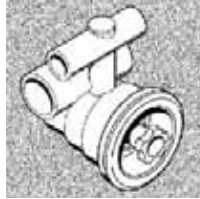
Retaining Ring Wrench 30-5875

Wall Fitting Wrench 30-5843W

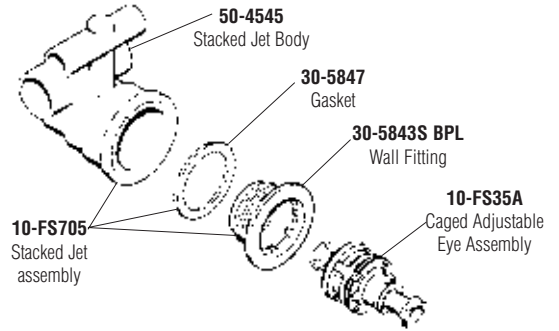
Hand held 16-5301 16-5301

Note: International parts are in yellow text.

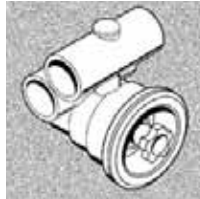
Caged Adjustable Eye 1" x 1/2" Jet Assembly



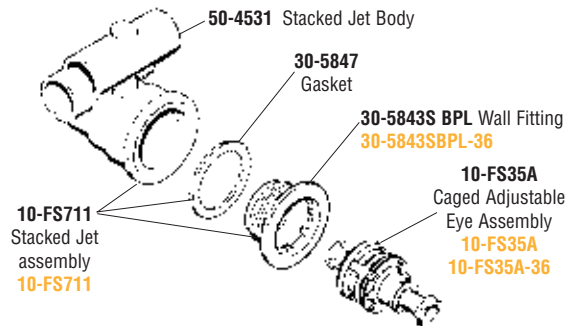
10-FS705AC 1" x 1/2"
Includes: 10-FS705 Stacked Jet Assy. & 10-FS35A Caged Adjustable Eye Assembly



Caged Adjustable Eye 1" x 1" Jet Assembly



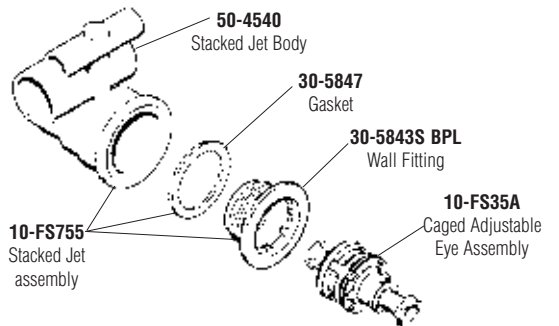
10-FS711AC 1" x 1"
Includes: 10-FS711 Stacked Jet Assy. & 10-FS35A Caged Adjustable Eye Assembly



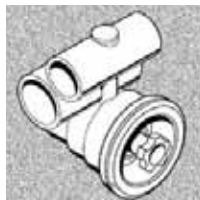
Caged Adjustable Eye 1 1/2" x 1/2" Jet Assembly



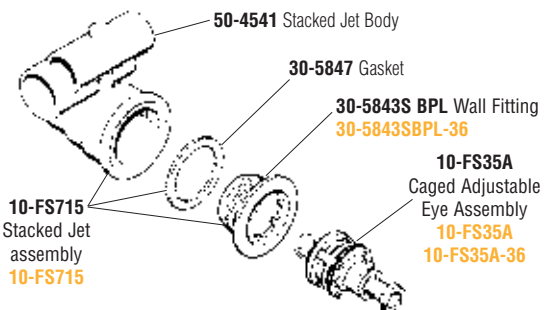
10-FS755AC 1 1/2" x 1/2"
Includes: 10-FS755 Stacked Jet Assy. & 10-FS35A Caged Adjustable Eye Assembly



Caged Adjustable Eye 1 1/2" x 1" Jet Assembly

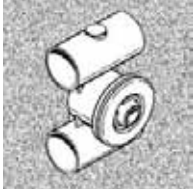


10-FS715AC 1 1/2" x 1"
Includes: 10-FS715 Stacked Jet Assy. & 10-FS35A Caged Adjustable Eye Assembly

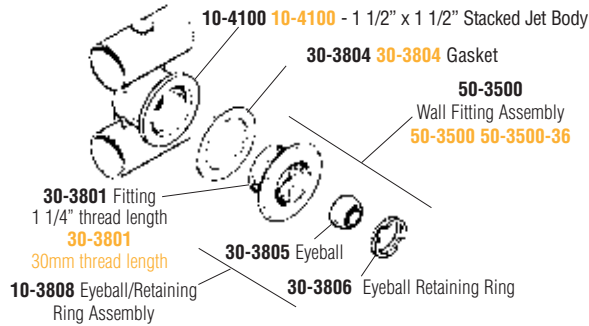


Hydro Jet™ Series

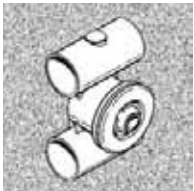
Hydro Jet™ 1 1/4" Fitting Thread Length



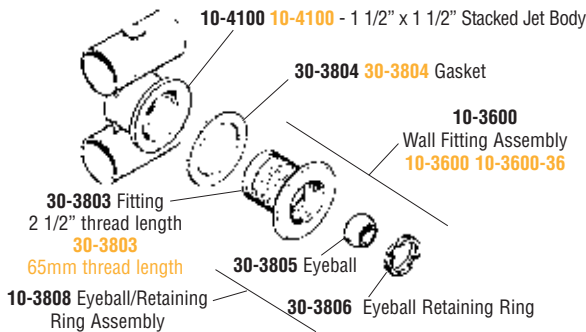
10-5100
includes: 10-4100
Stacked Jet Assembly &
50-3500 Wall Fitting
Assembly



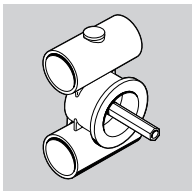
Hydro Jet™ 2 1/2" Fitting Thread Length



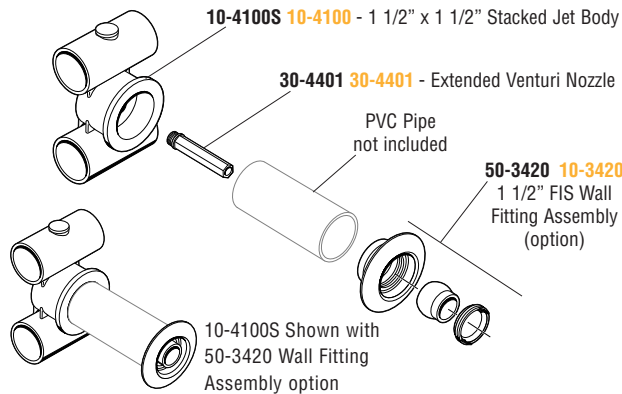
10-5300
includes: 10-4100
Stacked Jet Assembly
& 10-3600 Wall Fitting
Assembly



Hydro Jet™ For 1 1/2" PVC Pipe Extension



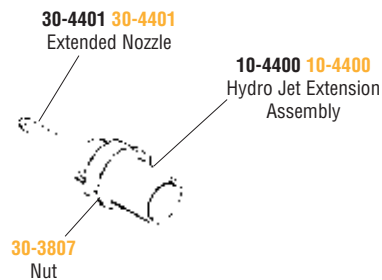
10-4100S includes:
30-4401 Extended
Venturi Nozzle
(Wall Fitting not included)
10-4100



Hydro Jet™ Extension - For Gunite / Hot Map



10-4400 includes:
Extension Body, and
Extended Nozzle (30-4401)
10-4400



Specifications:

Output: 13 GPM, 12 psi, 3/8" Nozzle

1.5 m³/h @ 7m H₂O

Hole Size: Use 2 3/8" hole saw

Options: Wrench 30-3801W

Hand Held 16-5303

Nozzle 10-4707

Orifice 30-4104PVC

Note: International parts are in yellow text.

Balboa Spa Overstock

Your Single Source Solution

Please Call For Availability

Standard Wall Fittings

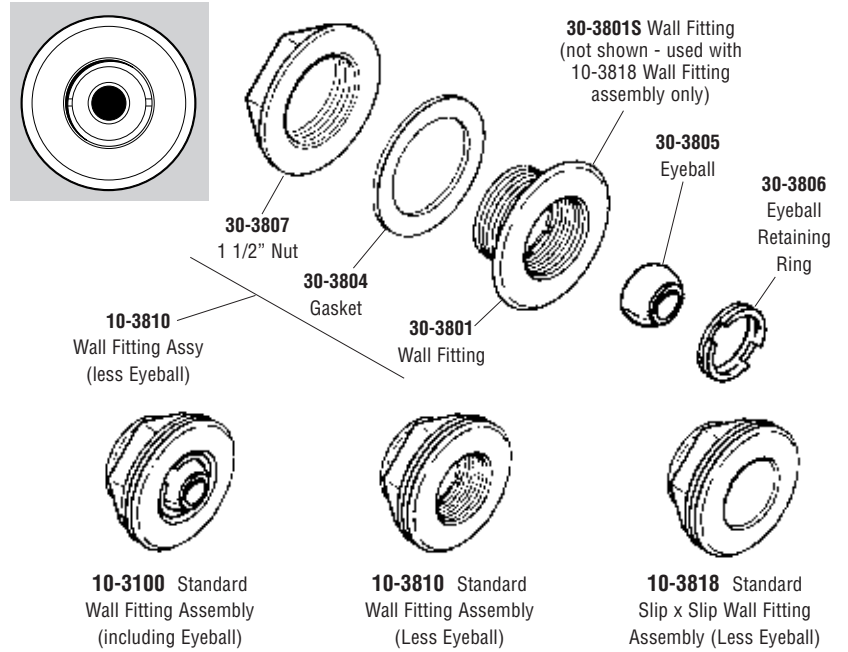
Specifications:

Output: Use 2 1/2" hole saw

Socket Size: 1 1/2" slip

Options: Wrench 30-3801W

Standard Wall Fittings - 1 1/4" Fitting Thread Length



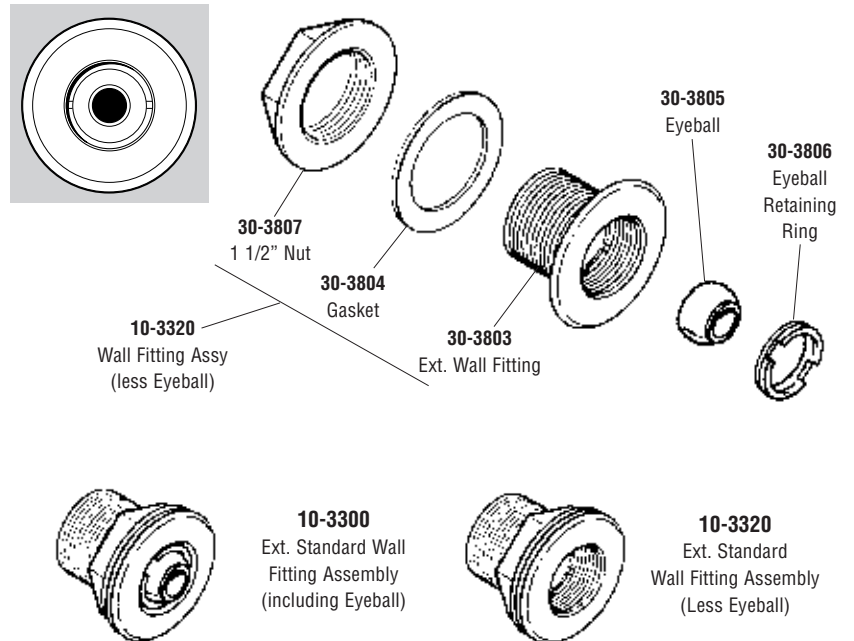
Specifications:

Output: Use 2 1/2" hole saw

Socket Size: 1 1/2" slip

Options: Wrench 30-3801W

Standard Wall Fittings - 2 1/2" Fitting Thread Length



Please Call For Availability

Air Control

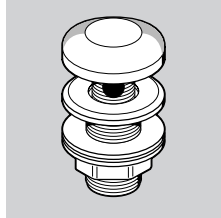
Specifications:

Hole Size: Use 1 1/16" hole saw

Socket Size: 1/2" (20mm)

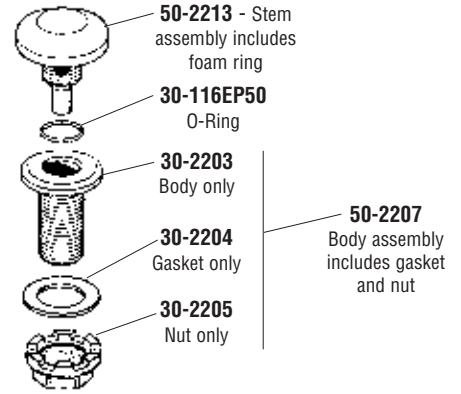
Options: 90° Elbow 30-2293 for air control

1/2" - 20mm Air Control Assembly - Round top



10-2213 - 1/2" - 20mm
Air Control Assembly

- 10-2213** White ABS
- 10-2213-11** Chrome plated ABS

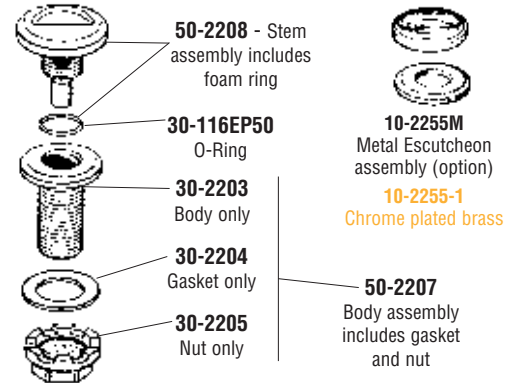


1/2" - 20mm Air Control Assembly



10-2200 - 1/2" - 20mm
Air Control Assembly

- 10-2200** White ABS
- 10-2200-11** Chrome plated ABS
- 20-2200-36** Grey ABS
- 10-2200IMP** White ABS

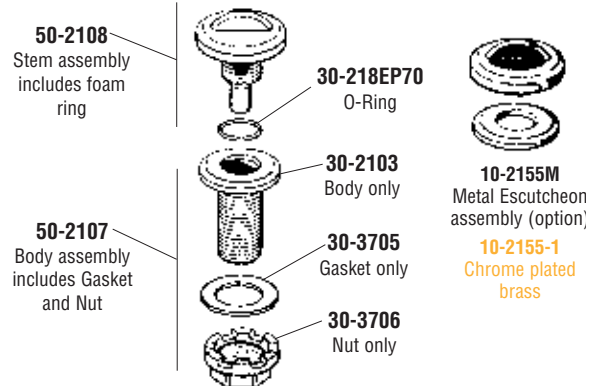


1" - 32mm Air Control Assembly



10-2100 - 1" - 32mm
Air Control Assembly

- 10-2100** White ABS
- 10-2100-36** Grey ABS
- 10-2100IMP** White ABS



Note: International parts are in yellow text.

Balboa Spa Overstock

Your Single Source Solution

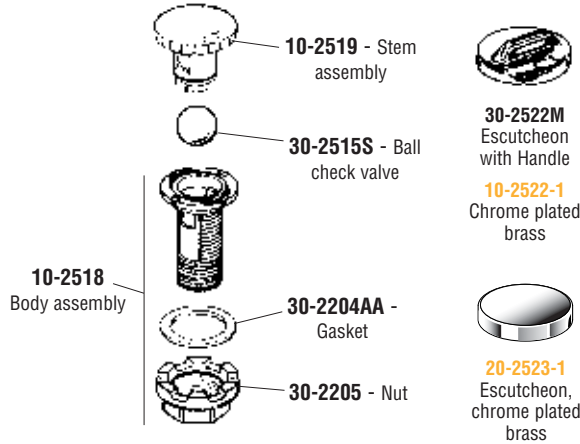
Please Call For Availability

Slimline Air Control

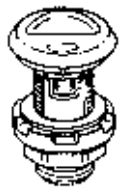
Slimline 1/2" - 20mm Air Control Assembly



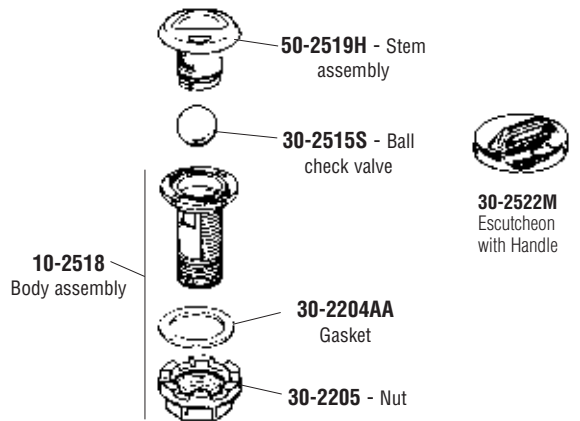
10-2510 - 1/2" - 20mm
Slimline Air Control
Assembly
10-2510 White ABS
20-2510-11 Chrome
plated ABS
10-2510-36 Grey ABS



Slimline 1/2" Air Control with Handle



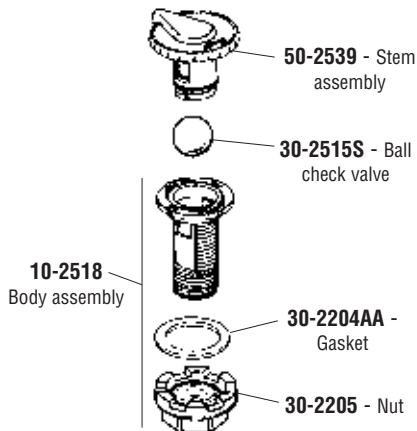
10-2510H - 1/2"
Slimline Air Control
Assembly



Slimline Teardrop 1/2" Air Control Assembly



10-2530 - 1/2"
Slimline Teardrop Air
Control Assembly



Specifications:

Installation: 90° Min/Max for vertical or horizontal installations

Hole Size: Use 1 1/16" hole saw

Socket Size: 1/2" (20mm)

Options: Metal Escutcheon 30-2522M

Specifications:

Installation: 90° Min/Max for vertical or horizontal installations

Hole Size: Use 1 1/16" hole saw

Socket Size: 1/2"

Options: Metal Escutcheon 30-2522M

Specifications:

Installation: 90° Min/Max for vertical or horizontal installations

Hole Size: Use 1 1/16" hole saw

Socket Size: 1/2"

Note: International parts are in yellow text.

Slimline Air Control Continues

Specifications:

Hole Size: 90° Min/Max for vertical or horizontal installations

Hole Size: Use 1 11/16" hole saw

Socket Size: 1" (32mm)

Options: Metal Escutcheons 30-2317M

Slimline 1" - 32mm Air Control Assembly



10-2310 1" - 32mm Slimline Air Control Assembly

10-2310 White ABS

10-2310-36 Grey ABS

10-2310FP-36 Grey ABS
5P Scallop

10-2318
Body assembly



50-2319 - Stem assembly



30-2315 - Ball check valve



30-3705 - Gasket



30-3706 - Nut



30-2317M
Escutcheon
10-2317-1
Chrome plated brass

Specifications:

Hole Size: 90° Min/Max for vertical or horizontal installations

Hole Size: Use 1 1/16" hole saw

Socket Size: 1"

Slimline SL 1" Air Control Assembly



10-2310SL
1" SL Slimline Air Control Assembly

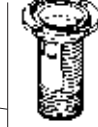
10-2318
Body assembly



50-2319SL - Stem assembly



30-2315 - Ball check valve



30-3705 - Gasket



30-3706 - Nut



Specifications:

Hole Size: 90° Min/Max for vertical or horizontal installations

Hole Size: Use 1 11/16" hole saw

Socket Size: 1" (32mm)

Options: 90° elbow 31-6200 for air control

Slimline Teardrop 1" - 32mm Air Control Assembly



10-2330 - 1" - 32mm Slimline Teardrop Air Control Assembly

10-2330 White ABS

10-2330-36 Grey ABS

10-2318
Body assembly



50-2339 - Stem assembly



30-2315 - Ball check valve



30-3705 - Gasket



30-3706 - Nut



Note: International parts are in yellow text.

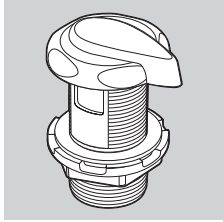
Balboa Spa Overstock

Your Single Source Solution

Please Call For Availability

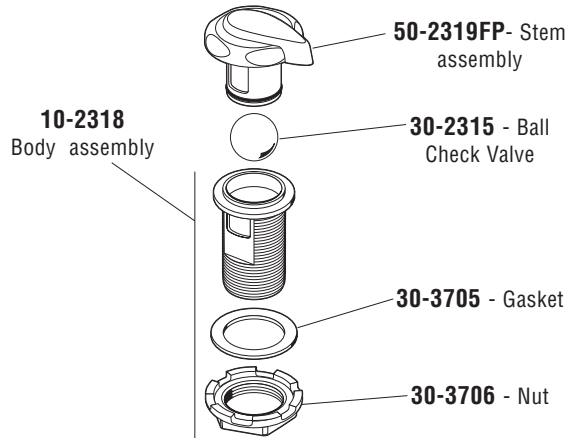
FP Slimline™ Teardrop Air Control

1" - 32mm Slimline FP Teardrop Air Control



10-2310FP - 1"
Five Point Teardrop Air Control Assembly

10-2310FP-36 32mm I.D.
Grey ABS



Specifications:

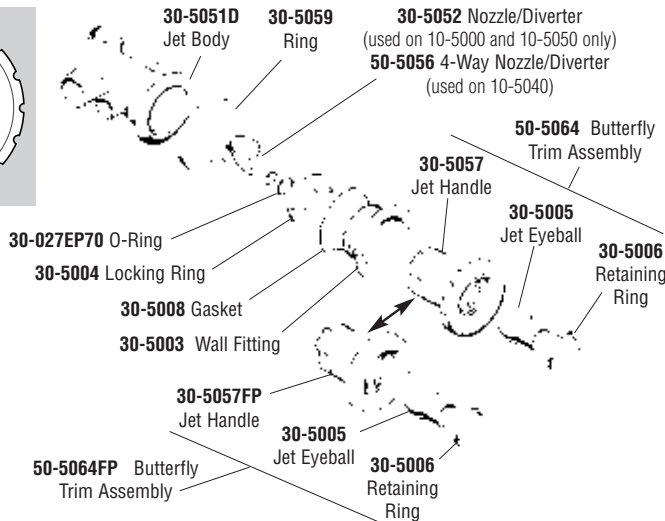
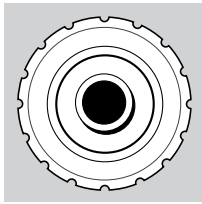
Installation: 90° Min/Max for vertical or horizontal installations

Hole Size: Use 1 11/16" hole saw

Socket Size: 1" 32mm I.D.

Butterfly™ Jet

Butterfly™ Jet Assemblies



10-5000 2-Port Jet Assembly Includes 1" and 1 1/2" slip plugs

10-5050 10-5050 10-5050-36 3-Port Jet Assembly Includes 1" slip plug

10-5040 3-Port, 4-Way Jet Assembly Includes 1" slip plug



10-5000FP 2-Port Jet Assembly Includes 1" and 1 1/2" slip plugs

10-5050FP 3-Port Jet Assembly Includes 1" slip plug

10-5040FP 3-Port, 4-Way Jet Assembly Includes 1" slip plug

Specifications:

Output 2 Port : 84 GPM, 18 psi

Output 3 Port: 84 GPM, 18 psi

Output 3 Port 4-Way: 84 GPM, 18 psi

Orifice Size: 1"

Hole Size: 3 1/4"

Socket Size: 2" spigot x 1 1/2"

slip water x 1" air

Options: .680 Reducer 10-5054

Metal wrench 10-7831M

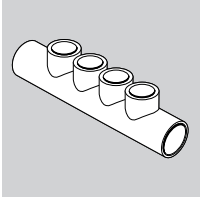
Features

- Built-in Valve adjusts easily from face plate, diverts flow from jet system with pump on or off
- Self lubricating using water from system

Note: International parts are in yellow text.

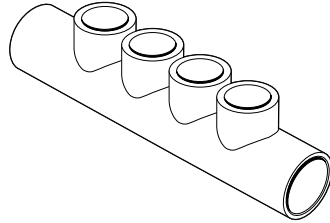
Air / Water Manifolds

Air/Water Manifold Assembly



31-4449

Manifold Assembly



Specifications:

Material: White PVC

Air Manifold Assemblies



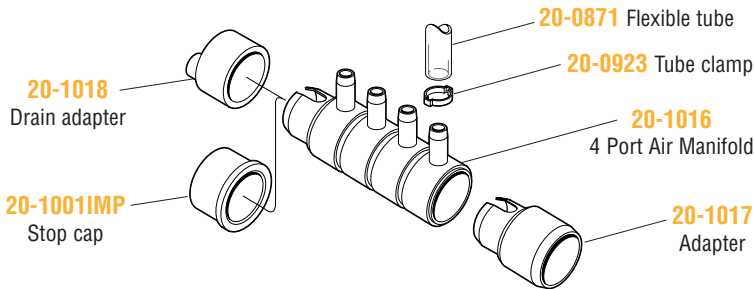
31-9122

4 Port Air Manifold



31-9123

8 Port Air Manifold



20-1018

Drain adapter

20-1001IMP

Stop cap

20-0871 Flexible tube

20-0923 Tube clamp

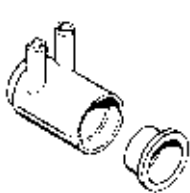
20-1016

4 Port Air Manifold

20-1017

Adapter

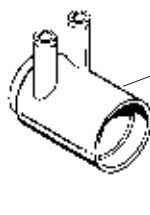
Air Manifold Assemblies



11-9114

11-9114

Air Manifold
includes End Cap



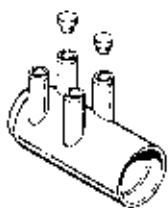
31-9114

Air Manifold

31-9118

31-9118

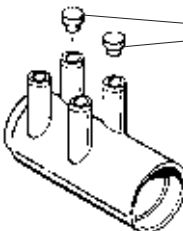
End Cap



11-9115

11-9115

Air Manifold
includes 1 Air
Port Plug



31-9119

31-9119

3/8" Air Port
Plug

31-9115

Air Manifold

Specifications:

Air Port Size: 3/8" (11mm)

Material: Clear blue PVC

Note: International parts are in yellow text.

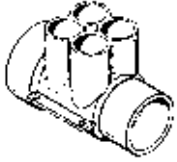
Balboa Spa Overstock

Your Single Source Solution

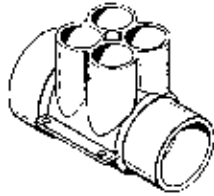
Please Call For Availability

Water Manifold

Water Manifold - 4 Port Assemblies

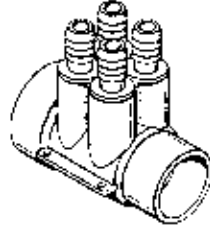


- 30-4578S** - 1/2" slip x 3/4" spgt x 3/4" barb
- 31-1516** - 1/2" spgt x 3/4" barb
- 31-9401** - 1/2" spgt x 1/2" barb
- 31-9402** - 1/2" spgt x 3/8" barb
- 31-9403** - 3/4" spgt x 3/8" barb



31-4451
Water Manifold
2" x 1 1/2" x (4) 3/4"

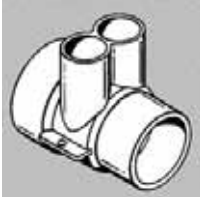
31-4451
Water Manifold 1 1/2"
I.D./2" O.D.x 2" I.D. x
(4) 3/4" I.D.



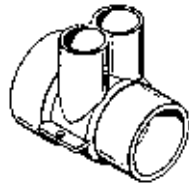
11-4454
Barb Water Manifold
2" x 1 1/2" x (4) 3/4"

11-4454
Water Manifold 1 1/2"
I.D./2" O.D.x 2" I.D. x
4 outlets barb 22mm O.D.

Water Manifold - 2 Port Assemblies

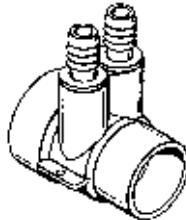


- 30-4578S** - 1/2" slip x 3/4" spgt x 3/4" barb
- 31-1516** - 1/2" spgt x 3/4" barb
- 31-9401** - 1/2" spgt x 1/2" barb
- 31-9402** - 1/2" spgt x 3/8" barb
- 31-9403** - 3/4" spgt x 3/8" barb



31-4455
Water Manifold
2" x 1 1/2" x (2) 3/4"

31-4455
Water Manifold 1 1/2"
I.D./2" O.D.x 2" I.D. x
(2) 3/4" I.D.



11-4457
Barb Water Manifold
2" x 1 1/2" x (2) 3/4"

11-4457
Water Manifold 1 1/2"
I.D./2" O.D.x 2" I.D. x
2 outlets barb 22mm O.D.

Specifications:

Material: Clear blue PVC

Options: 2" Slip Plug 30-1002 30-1002

1 1/2" Slip Plug 30-1015 21-1015

3/4" Slip Plug 31-4453 31-4453

1/2" x 3/4" Reducer 31-4452

50mm I.D. x 1 1/2" O.D. Reducer

33-4850

Note: International parts are in yellow text.

Main Drain / Gravity Drain

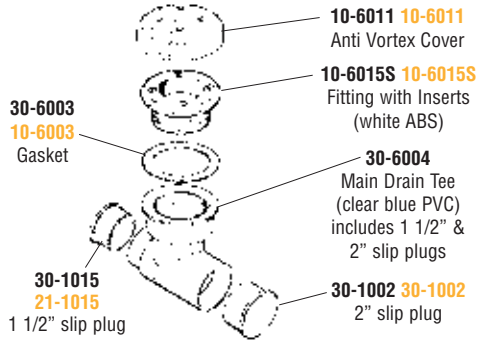
Main Drain Assemblies



10-6200
Main Drain Assembly

- 10-6200 White ABS cover*
- 10-6200-36 Grey ABS cover*
- 10-6200IMP White ABS cover*

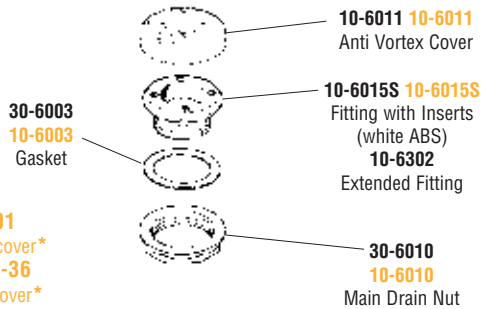
* Can be used as bottom inlet in commercial spas



10-6201
Main Drain/Lock Nut
10-6204
Main Drain Extended

- 10-6201 White ABS cover*
- 10-6201-36 Grey ABS cover*

* Can be used as bottom inlet in commercial spas

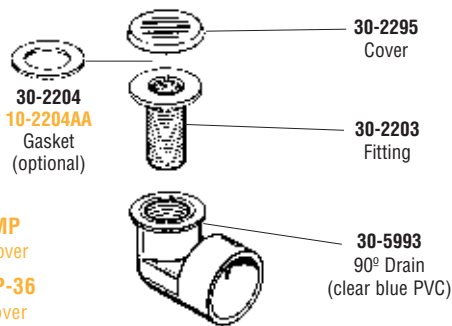


Gravity Spa Drain Assemblies



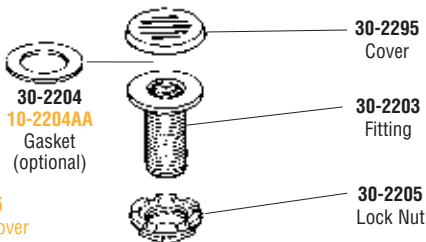
10-2294
Gravity Spa Drain
Assembly with 90° Nut

- 10-2294IMP White ABS cover
- 10-2294IMP-36 Grey ABS cover



10-2296
Gravity Spa Drain
Assembly with Lock Nut

- 10-2296 White ABS cover
- 10-2296-36 Grey ABS cover



Specifications:

Maximum Listed Flow Rate: 188 GPM

42.7m³/h

Hole Size: 2 7/8"

Open Area: 12 57/64 sq. in.

Socket Size: 10-6200: 1 1/2" x 2" slip Tee

10-6201: 2" slip, Cover screws (4) 30-6209

Material: Body PVC, cover ABS

Specifications:

Hole Size: 1 1/16"

Material: Body PVC, cover ABS

Options: Gasket 30-2004

Note: International parts are in yellow text.

Balboa Spa Overstock

Your Single Source Solution

Please Call For Availability

Bulkhead Fittings (Wall Fittings / Nozzles / Orifices)

Nozzles for Jets:

30-4102 - Long Nozzle

Fits Hydro Jet, Micro Jet,
Extended Micro Jet, Extended Slim Line

30-4303 - 1/4" Nozzle

Fits Venturi Tees 10-4300, and 10-4310

30-4308 - 1/2" Nozzle

Fits Venturi Tees 10-4305 and 10-4315

30-4707 - Slimline Jet Nozzle

Fits all Slimline except Extended Slimline

50-4804 Magna Nozzle

Fits Magna Series Jets

10-4905 - Micro Magna Nozzle

Fits Micro Magna Series Jets

10-5833 - Adjusting Nozzle / with Orifices

Fits AF Mark II Series Jets

36-4203 - Micro' ssage Nozzle

Fits Micro' ssage / Convert' ssage
Series Jets

36-4552 - Verta' ssage and

Thera' ssage Nozzle

Orifice Reducers for Nozzles:

10-4104 - Orifice Tree Reducer

For Hydro Jet™, Micro Jet™, Slimline™,
Converta' ssage™, AF Mark II and
Freedom Series™

30-4322 - 7/16" Reducer Orifice

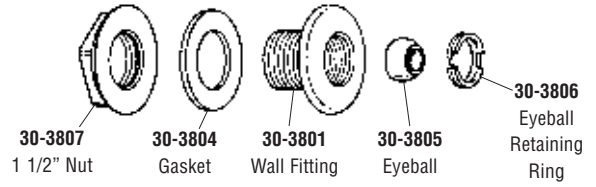
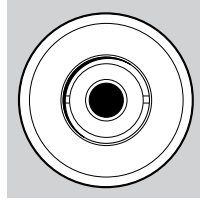
Fits 10-4320, 10-4323 and 10-4401

30-4814 - Reducing Orifice for

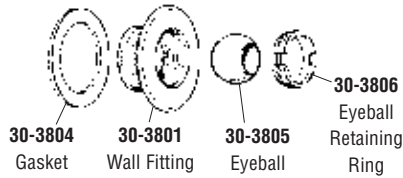
Magna Series Jets

Note: International parts are in yellow text.

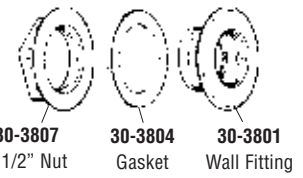
Standard Wall Fitting Assemblies



10-3100 Standard Wall Fitting Assembly

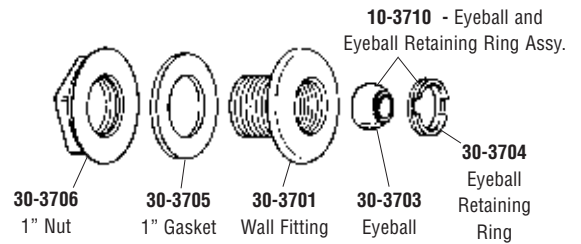
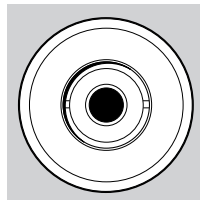


10-3500 Standard Wall Fitting Less Nut

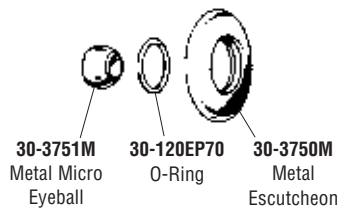


10-3810 Std. Wall Fitting Less Eyeball

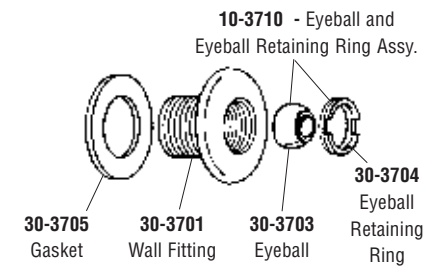
Micro Wall Fitting Assemblies



10-3200 Micro Wall Fitting Assembly



10-3755M
Metal Micro Escutcheon Assembly

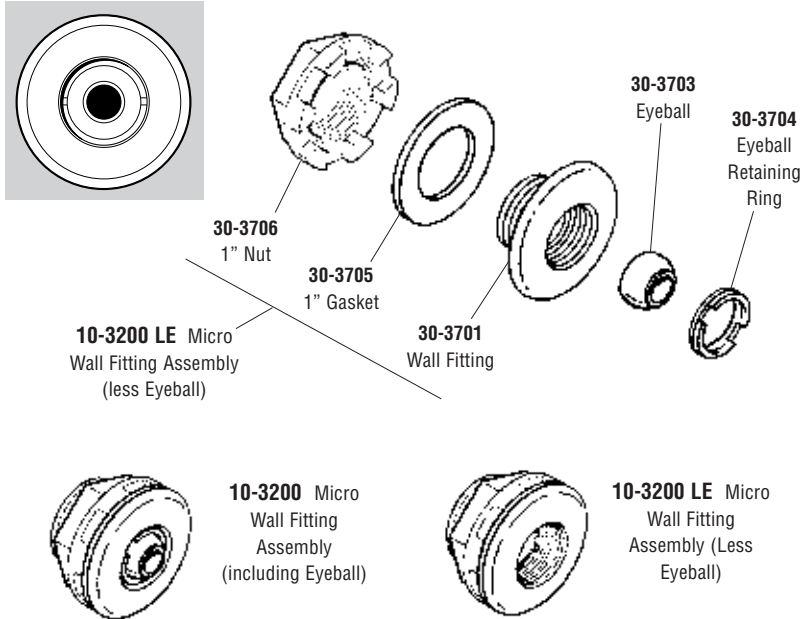


10-3700 10-3700
Micro Wall Fitting Assembly Less Nut

Please Call For Availability

Bulkhead Fittings Micro Wall Fitting

Micro Wall Fittings - 1 1/4" Fitting Thread Length



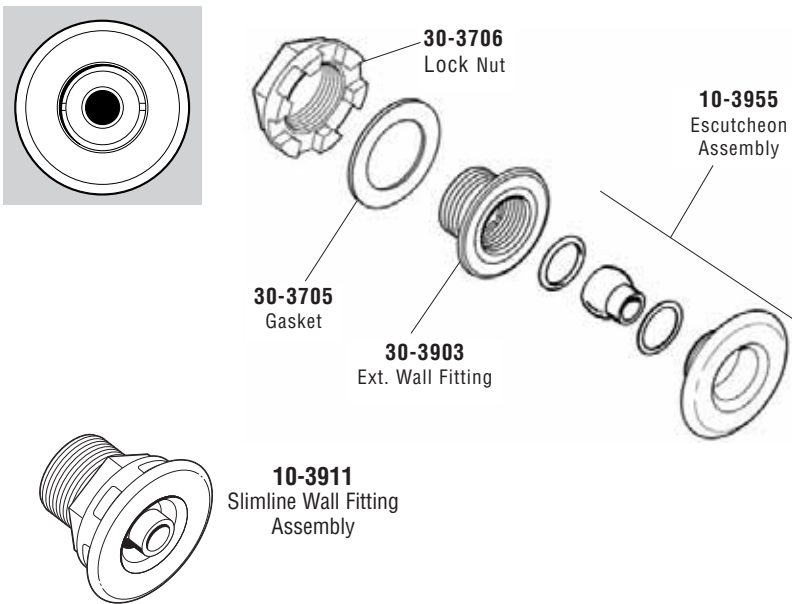
Specifications:

Hole Size: Use 1 3/4" hole saw

Socket Size: 1" slip

Options: Wrench 10-7825M

Slimline™ Wall Fitting Assembly - 1 3/4" Thread Length



Specifications:

Hole Size: Use 1 3/4" hole saw

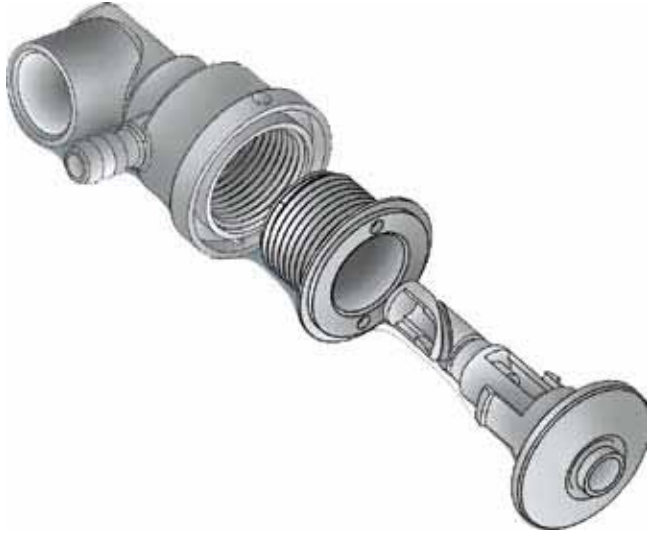
Options: Wrench 10-7825M

Balboa Spa Overstock

Your Single Source Solution

Please Call For Availability

Petite Jet



LOOKS

- Smooth

FEATURES

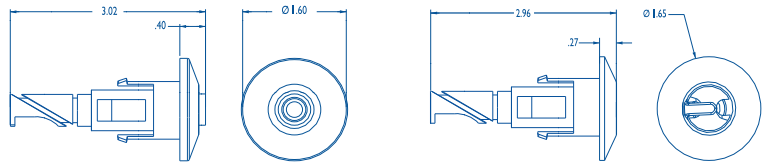
- Adjustable flow with 100% shut off.
- Available with stainless steel escutcheons
- Rotary and Directional designs available.
- Low profile keeps the inner tub surface smooth and comfortable.
- Designed for ease of assembly, quick installation, and keeping labor cost low.
- Designed to rigorous ASTM standards for high performance and reliability.

Totally redesigned, the Petite Jet has an efficient design that comes with adjustable flow and 100% shut off standard. The 1.65" diameter head makes the Petite Jets ideal for installation in neck jet clusters. Stop weeping neck jets by using the new Petite Jet.

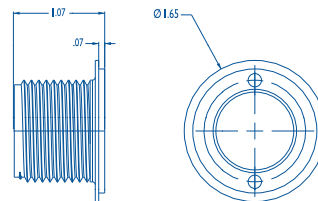
The Petite venturies are compact and easy to plumb, and available with Barbed Air x 1/2" Water Socket or with 3/8" Barbed Air x 3/4" Barbed Water. They are designed to rigorous ASTM standards for high performance and reliability.

The new design is easy to assemble and install to help keep your labor cost low, plus it is backed with all the experience and reliability of Spa and Bath Balboa Water. This makes the Petite Jet the logical choice for small jets.

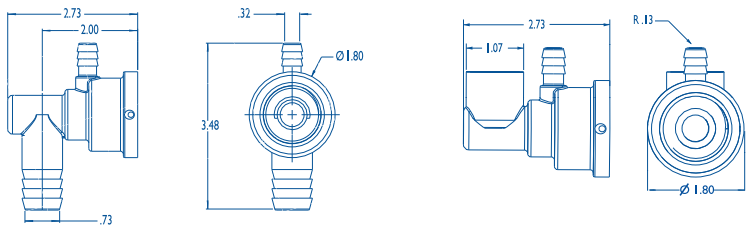
Barrel Assembly



Head



Body



Please Call For Availability

Petite Jet Continues



Description
3/8" Barbed Air x 1/2" Water Socket
Part Number: 2111043
Qty Available: 5,800



Description
Head Short
Part Number: 2112019
Qty Available: 530



Description
3/8" Barbed Air x 1/2" Barbed Water
Part Number: 2111053
Qty Available: 6,180

Suction Adaptions And Tools



Description
Adaptor Elbow Socket
x 2" Socket
Box Size: 16x14x12
Part Number: 47223100
Qty Available: 1,000

Balboa Spa Overstock

Your Single Source Solution

Please Call For Availability

Tools / Wrenches (Custom Wrenches)



50-9075W
Wrench Micro
Magna Jet Series



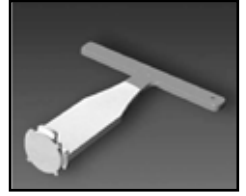
36-9099W
Wrench Micro
Adjustable VSR
Jet Series



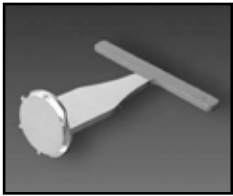
30-5843W
Wrench Bath
Freedom, Caged
Freedom and AF MK
II Jet Series



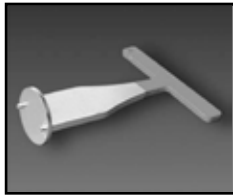
10-7831M
Wrench Magna,
SL Magna, Super
Magna,
Converta'ssage,
Micro'ssage and
Butterfly Jet Series



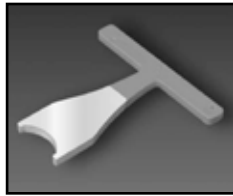
10-7825M
Wrench Slimline,
Builder, LoProfile
Builder and
Micro Jet Series



30-3801W
Wrench Hydro Jet
Series, Standard Wall
Fittings and High
Volume Suctions



10-7835
Fitting Wrench
Adjustable Neck Jet,
Adjustable Flex Jet
Series and SlimLine™



36-3920W
Wrench Duo Jet and
Duo Flex Jet Series

OEM Tools / Wrenches (OEM Custom Wrenches)



36-5766OW
VSR OEM Nut
Wrench



36-5714OW
4" & 5" SUCTION
OEM Nut Wrench



38-0033OW
CLOUDBURST 5"
Suction (4" hole)



19-6001OW
DrySuction OEM
Wrench



19-6001OW
DrySuction OEM
Wrench



36-9099OW
MICRO VSR OEM
Nut Wrench



31-4028OW
1" VALVE OEM Nut
Wrench



10-9200OW
DryJet Wrench

Spa and Bath Brands	
Color Code	Description
00	WHITE
35	Grey
81	SILVER / Light Grey
DM	DARK GLITTER
RB	RHAPSODY BLUE
WW	Dark Grey / GREY

Balboa / GG	
Color Code	Description
11	S. Rainforest
AL	Almond
BC	Biscuit
BK	Black
BL	Bone / Natural
BN	Brushed Nickel
BO	Bone
CB	Classic Bone
CG	Country Grey
CW	Classic White
DB	Dresden Blue
FB	Fawn Beige
GM	Thunder Grey
HG	Grey / Taupe
IB	Innocent Blush
JW	Classic White
LA	Silent Linen
LG	Luran Grey
OB	Oil Rubbed Bronze
PB	Polished Brass
PC	Polished Chrome
PG	Polished Gold (plated)
RB	Rhapsody Blue
RF	Rainforest
RP	Raspberry Puree
RU	Ruby
RU	Ruby
SG	Satin Gold
SH	Shell
SS	Sterling Silver
TG	Tender Grey
TL	Teal
TN	Tan (Mexican Sand)
VB	PVD Brilliance
VN	PVD Pearl Nickel
WA	White
WH	White
WR	Wild Rose

HydroAir	
Color Code	Description
BIS	Biscuit
BLK	Black
BLU	Blue
BON	Bone
FABGE	Fawn Beige
FP BLK	Black
FP GRY	Grey
FP WHT	White
GRY	Grey
MGX	Metallic silver
ORB	Oil Rubbed Bronze
PB	Polished Brass
PC	Polished Chrome
SN	Satin Nickel
WHT	White



1382 Bell Avenue Tustin, CA 92780

Phone: 1-714-384-0338

Inside Sales: 1-714-384-0384

Technical Support: 1-714-384-0384

Fax: 1-714-384-0385

www.balboawater.com