

SPAccessories

Spa & Hot Tub Necessities

Top Mount Hydraulic Cover Removal System Installation & Use Manual



WARNING

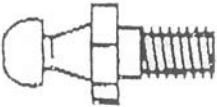
PLEASE READ ALL INSTRUCTIONS BEFORE
ATTEMPTING INSTALLATION

FAILURE TO DO SO MAY CAUSE DAMAGE TO YOUR
LIFT AND/OR SPA COVER

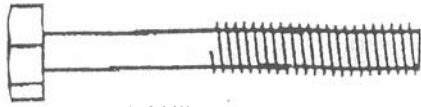
BEFORE YOU START: Determine whether spa will
need a Top Mount or a Side Mount installation.

Look at diagrams and see which one best resembles spa type for installation.

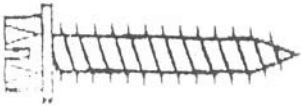
HARDWARE CHART



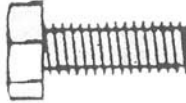
Ball Stud



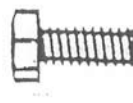
1-3/4" Hex Bolt



1-1/4" Lag Bolt



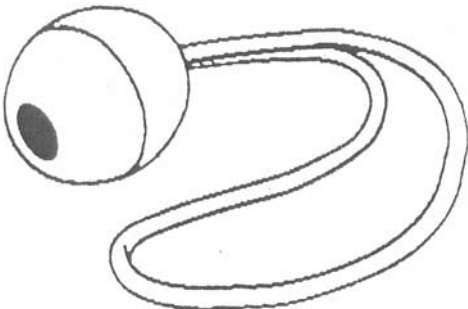
5/8" Hex Bolt



3/4" Hex Bolt

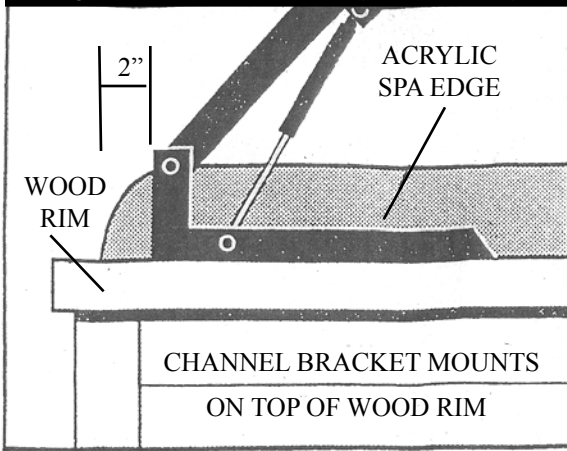


Lock
Washer



Elastic Strap/Ball

Fig. 1 - SPA with WOOD RIM (shell size cover)



TOP MOUNT & SIDE MOUNT INSTRUCTIONS:

1. Attach Ball Stud to Channel Bracket using 1-Ball Stud and 1 Lock Nut (per side). Attach other Ball Stud to Pivot Arm using 1-Ball Stud and 1-Lock Nut (per side).

2. --VERY IMPORTANT-- Position spa cover (in closed position) on spa. Position rear of Channel Bracket approx. 2 inches forward from back edge of spa cover. Make sure Channel Bracket is parallel to side of spa cover.

• **TOP MOUNT:** Mount Channel Bracket to wooden spa rim using (4) 1-1/4" Lag Bolts. (per side, pre-drill holes in wood rim) See Fig. 1

• **SIDE MOUNT:** Align holes of SM (side mount) Bracket with Channel Bracket holes. There are 6 holes on top of SM Bracket and only 5 holes in Channel Bracket. You will use 5 or no less than 4 when connecting SM Bracket to Channel. Fig. 3 & 4 (offset Channel Bracket from SM Bracket using no less than 4 holes in order to reach within 2 inches of rear of spas cover) See Fig. 2

• Mark hole position of SM Bracket on wood side. Mount SM Bracket to wooden spa side using (4) 1-1/4" Lag Bolts. (per side pre-drill holes in wood rim)

Fig. 2 - SPA with SMALL CURVED RIM

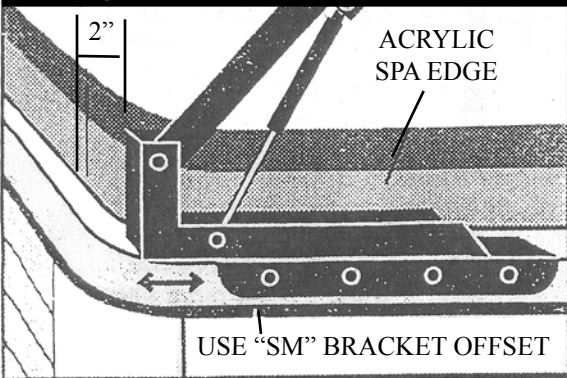
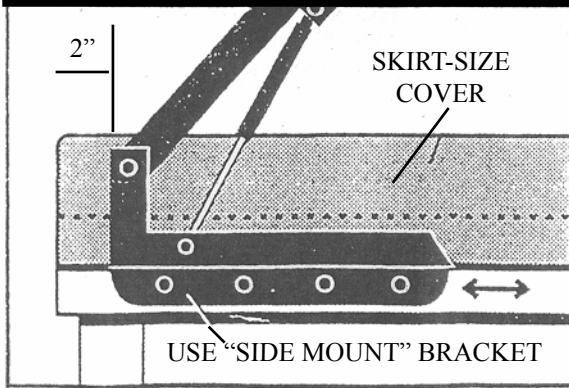


Fig. 3 - SPA with SKIRT SIZE COVER
W/ WOOD RIM

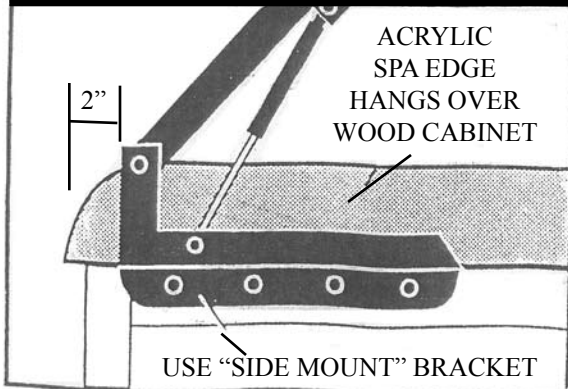


- Mount Channel Bracket to SM Bracket with (5) 3/4" (No less than 4) Hex Bolts and 5 Lock Nuts (per side) Lock Nuts are positioned on the bottom side of SM Bracket.

3. Slip covers over both ends of bars of Extension Arm before sliding arm bars in position on cover (see next page).

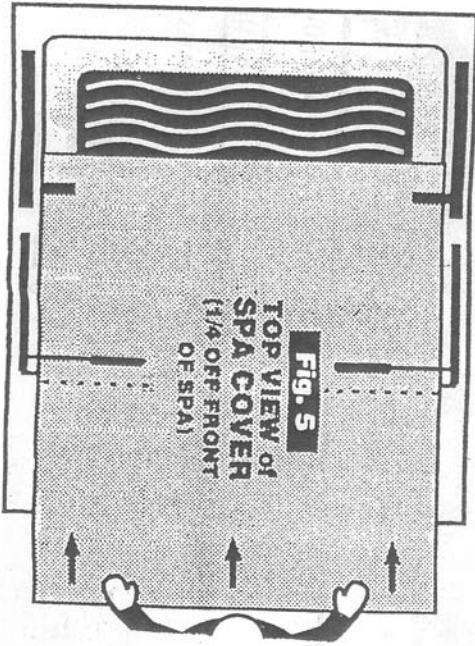
4. Attach Pivot Arm to Channel Bracket using (1) 1-3/4" Hex Bolt, (1) Lock Nut (per side). Lock Nut can be placed on the inside or outside edge of spa (as allowed by specific spa manufacturer) **DO NOT OVER TIGHTEN!**

Fig. 4 - SPA with NO WOOD RIM



5. Click "Latching" Gas Shock onto Ball Stud of Channel Bracket **ONLY** on most convenient side of spa (thick section to Channel Bracket and thin section to Pivot Arm), leaving shock laying down. Click "Regular" Gas Shock onto BALL Stud of Channel Bracket **ONLY** (thick section goes to Pivot Arm and thin section to Channel Bracket leaving shock laying down).

Channel Bracket Extension Arm



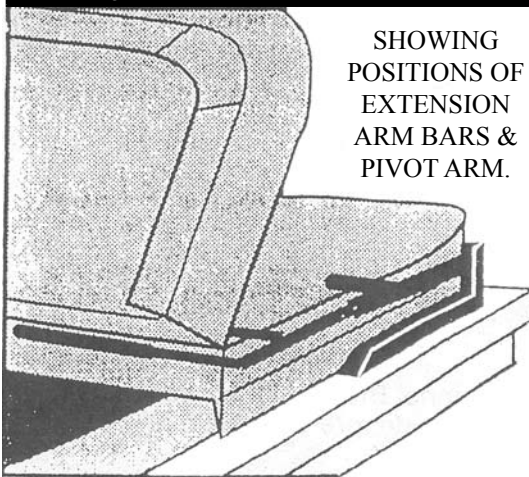
6. With spa cover on, but off front 1/4 way, slide Extension Arm bars in position on each side of cover (There is a left & a right arm). **Fig. 5**

Fig. 6 Front bar slides into middle of cover, while 2nd (top) bar lays on top of cover.

Fig. 5 Push cover from front slowly and evenly, keeping cover centered over spa

7. Keep pushing cover evenly until Extension Arms Slide into Pivot Arms. When cover is centered over spa (measure carefully on both sides) See **Fig. 5** Secure Stabilizer Bar and Extension Arm to Pivot Arm using 5/8" Sq. Bolt.. If Spa Rim is greater than 5 inches, secure Stabilizer Bar parallel with Pivot Arm.

Fig. 6 - SPA with COVER 1/2 OPEN



8. Fold back front half of cover & manually lift cover to open position. Lift shock up and click on to Ball Stud on Pivot Arm (both sides).

9. Attach Elastic Strap/Ball to front bar on Extension Arm, (use to lower cover instead of pulling on spa cover).

Front bar slides between both halves when cover is closed. Exposed when folded back.

Top bar on top of cover. In between cover when cover is folded back.

Extension Arm

Heat up cover with a hair dryer or use liquid soap to slip over metal easily.

Rest stabilizer bar (SB) on top of spa cover. In between cover when cover is folded back. • Turn (SB) Parallel with pivot arm if rim of spa is over 5 inches in height.

Pivot Arm

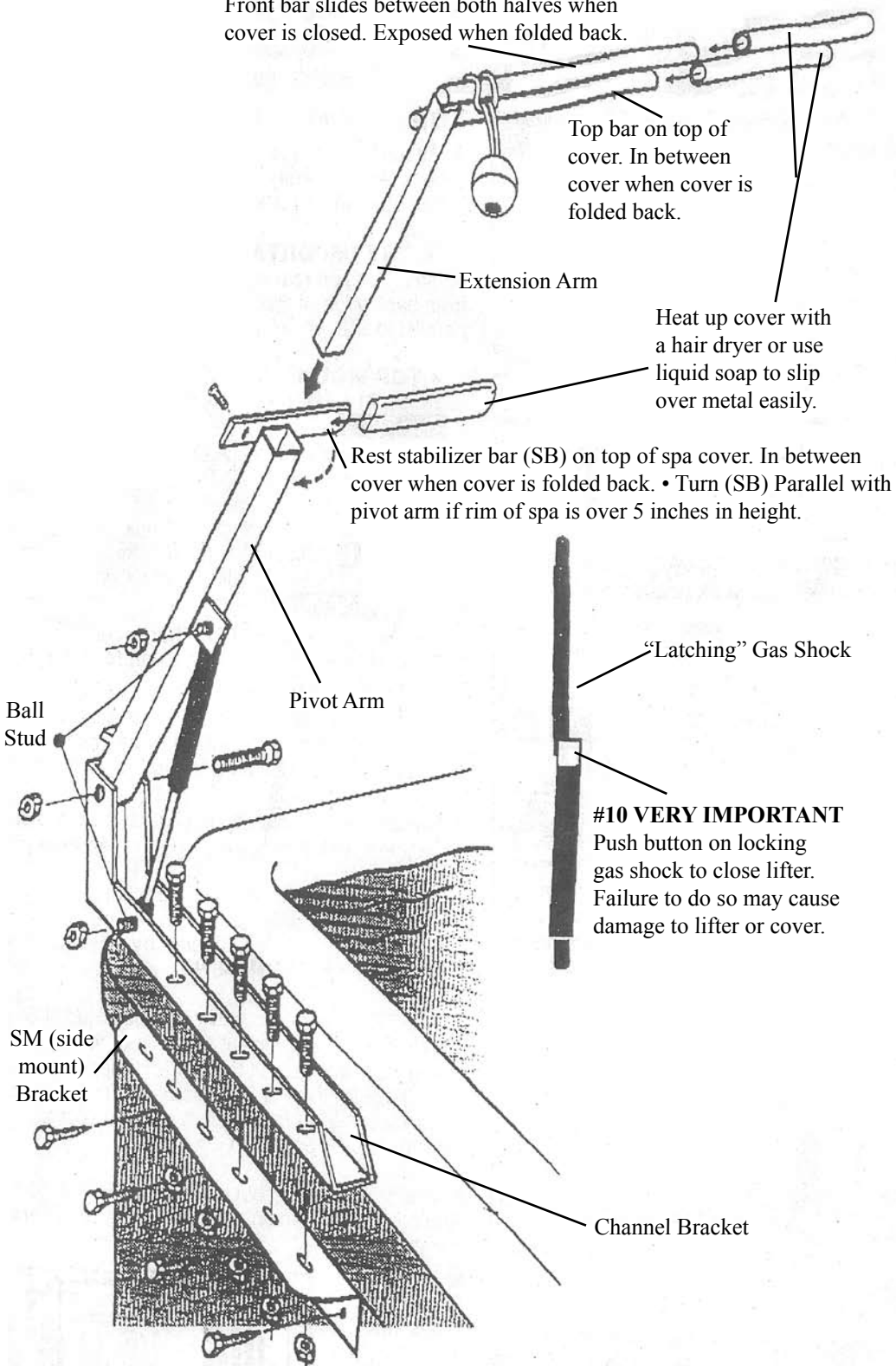
Ball Stud

“Latching” Gas Shock

#10 VERY IMPORTANT
Push button on locking gas shock to close lifter.
Failure to do so may cause damage to lifter or cover.

SM (side mount) Bracket

Channel Bracket



5 YEAR LIMITED WARRANTY

SPAccessories warrants this product to be free from defects in workmanship and material, under normal use and service conditions, for a Limited 5 Year Warranty. This warranty extends only to the original purchaser. **SPAccessories**' obligation under this warranty is limited to replacing or repairing, at **SPAccessories**' option, the product at one of its authorized service centers. All products for which warranty claim is made must be received by **SPAccessories** at one of its authorized service centers with all freight and other transportation charges prepaid, accompanied by sufficient proof of purchase. All returns must be pre-authorized by **SPAccessories**. This warranty does not extend to any product or damage to a product caused by or attributable to freight damage, abuse, misuse, improper or abnormal usage or repairs not provided by a **SPAccessories** authorized service center, products used for commercial or rental purposes, or products used as store display models. No other warranty beyond that specifically set forth above is authorized by **SPAccessories**.

SPAccessories is not responsible or liable for indirect, special or consequential damages arising out of or in connection with the use or performance of the product or damages with respect to any economic loss, loss of property, loss or revenues or profits, loss of enjoyment or use, costs of removal, installation or other consequential damages of whatsoever nature. Some states do not allow the exclusion or limitation of incidental or consequential damages. Accordingly, the above limitation may not apply to you.

The warranty extended hereunder is in lieu of any and all other warranties and any implied warranties of merchantability or fitness for a particular purpose is limited in its scope and duration to the terms set forth herein. Some states do not allow limitations on how long an implied warranty lasts. Accordingly, the above limitation may not apply to you.

This warranty gives you specific legal rights. You may also have other rights which vary from state to state.

SPAccessories, 6848 S. Airport Rd., West Jordan, UT 84084



Spa & Hot Tub Necessities

6848 S. Airport Road ~ West Jordan, UT 84084